

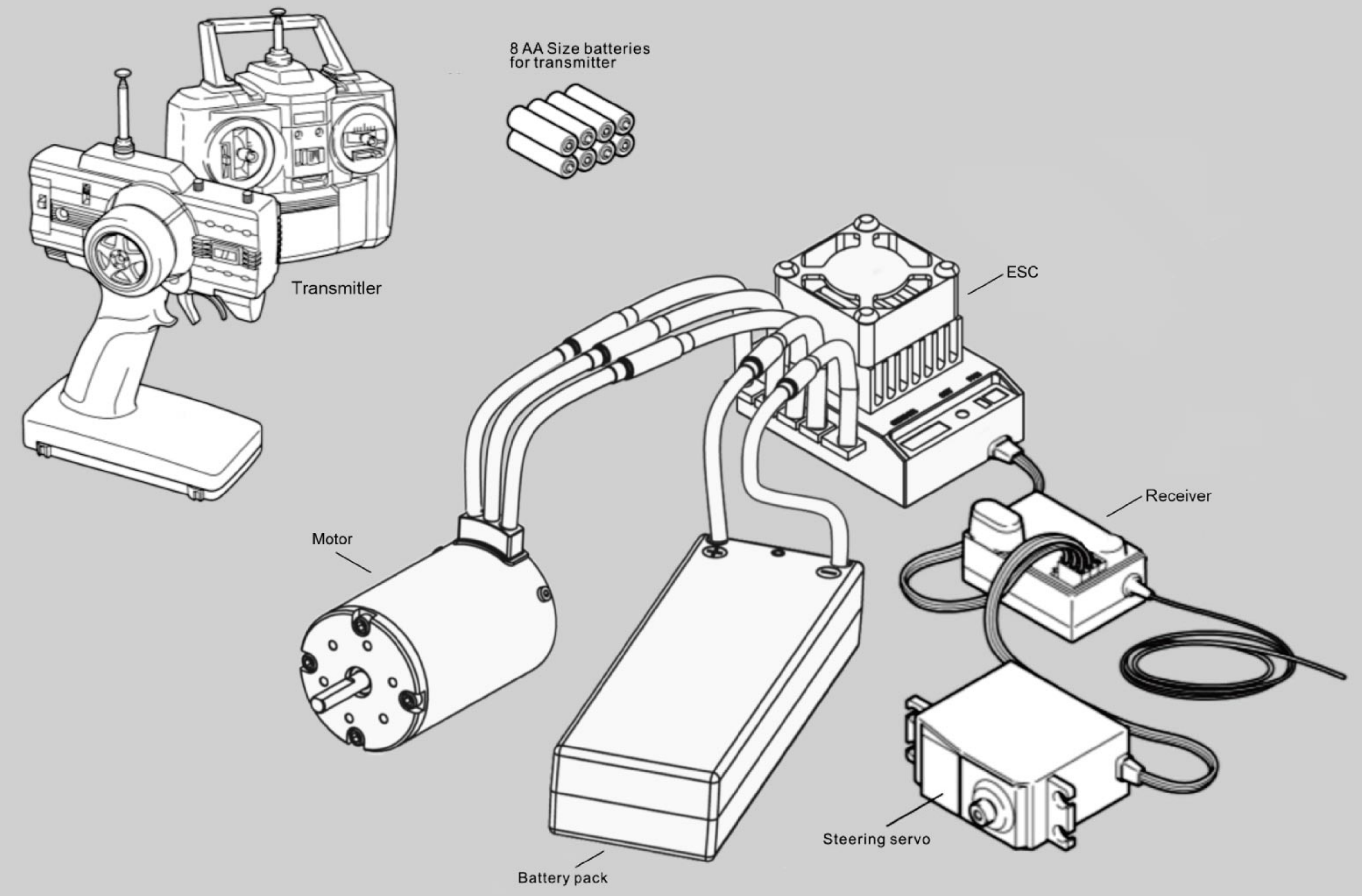
HYPER

4WD MONSTER TRUCK

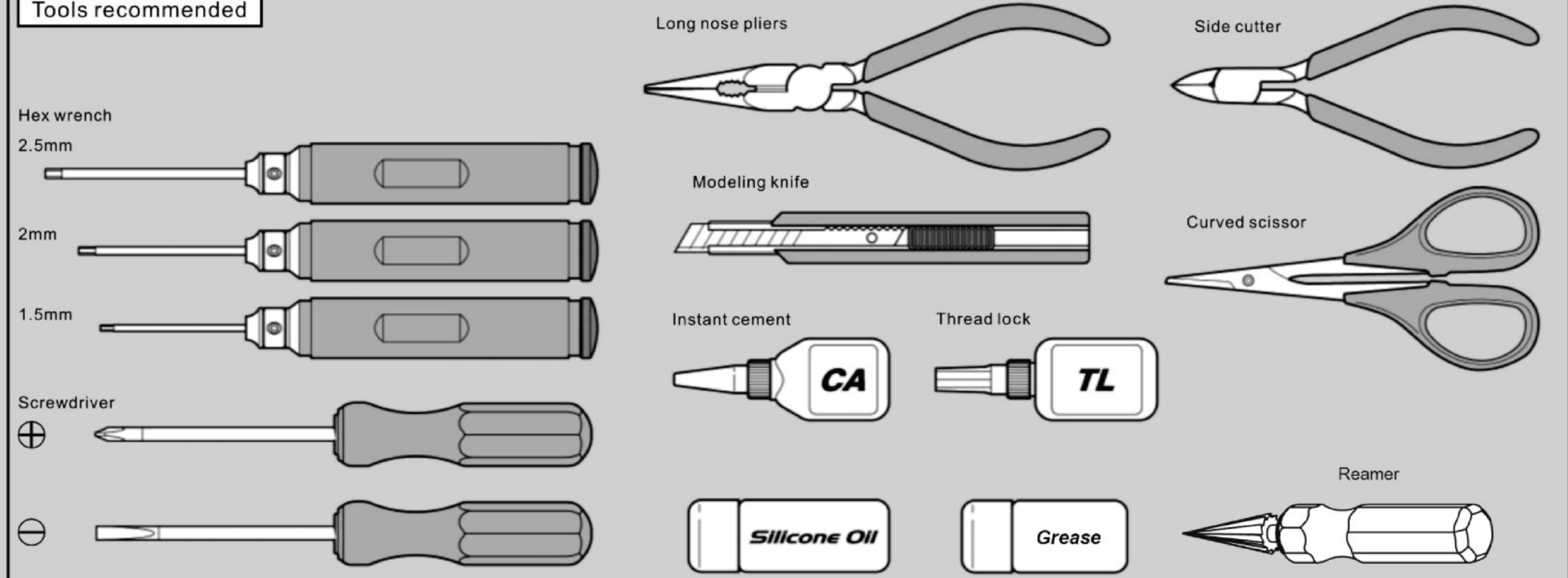
PLUS II

Required

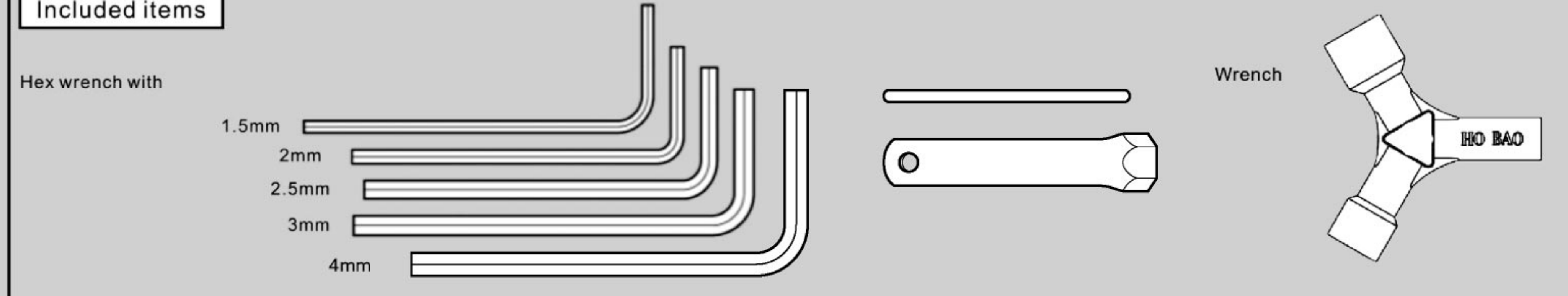
Radio control equipment set




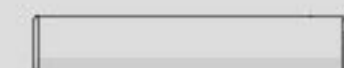
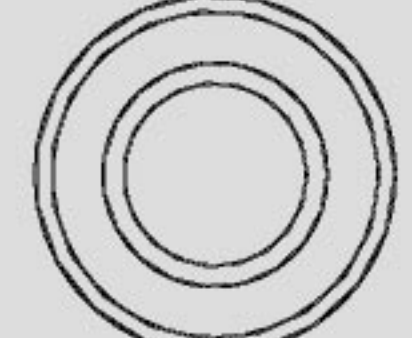

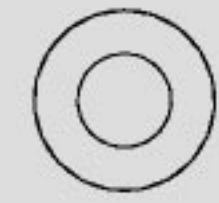


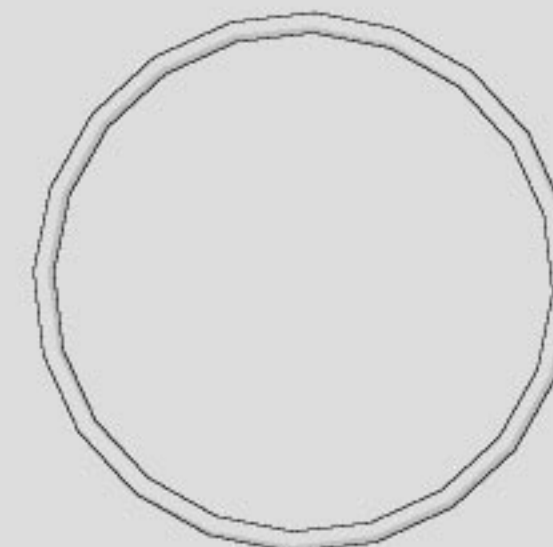
Tools recommended



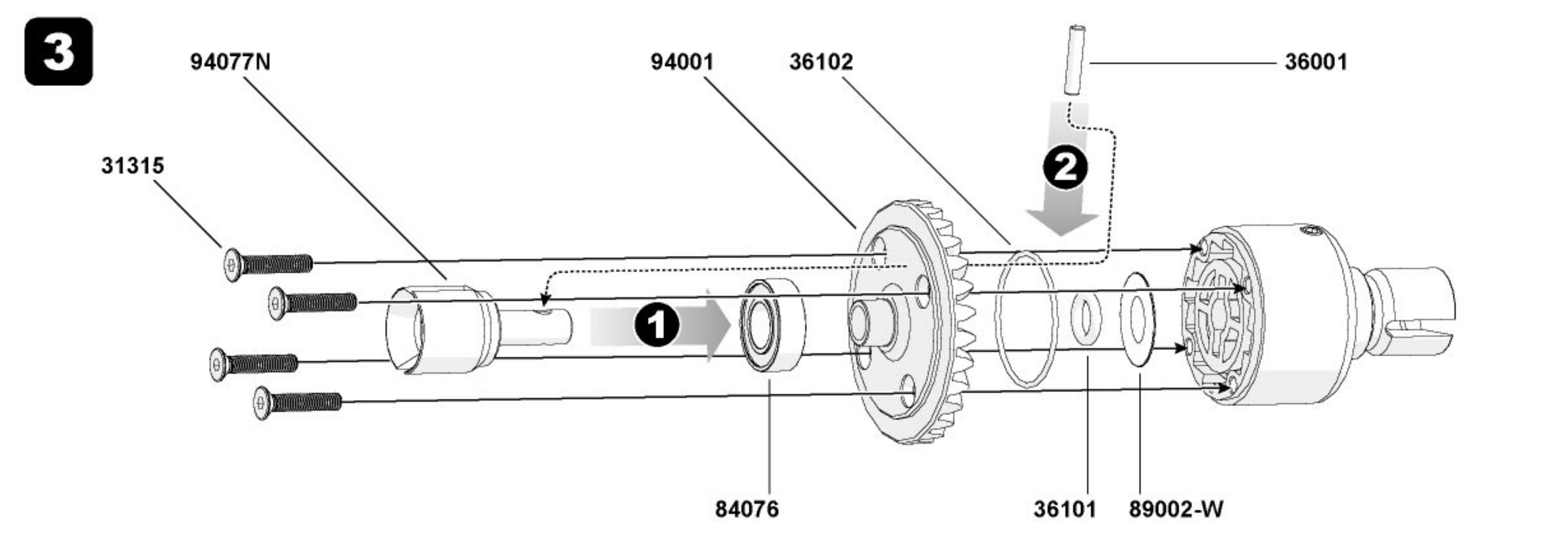
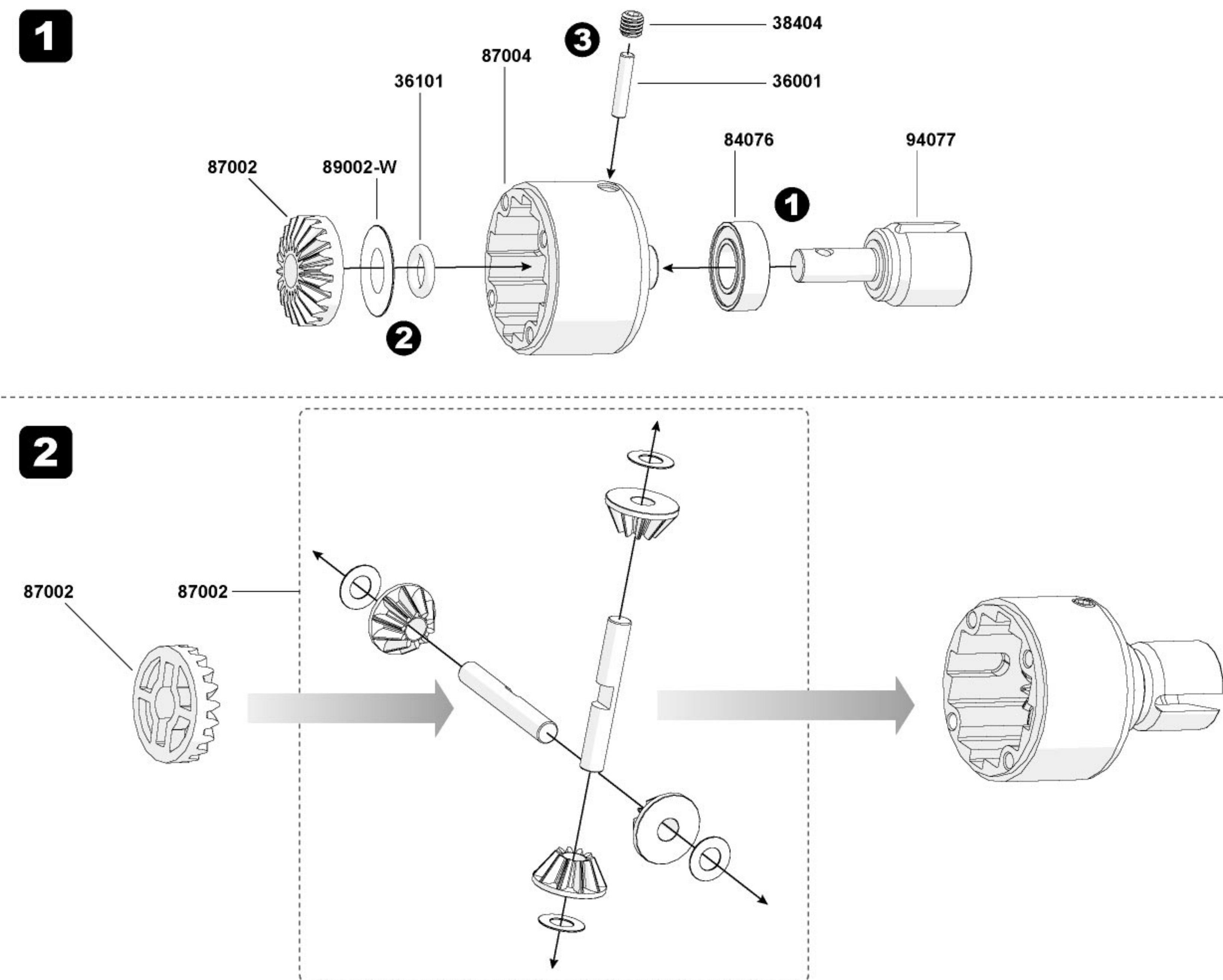
Included items



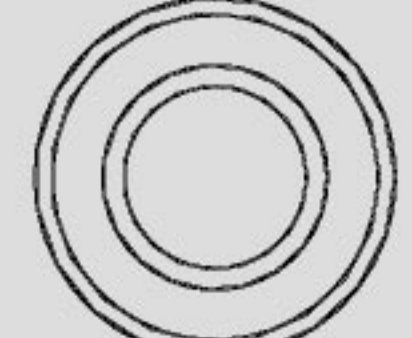
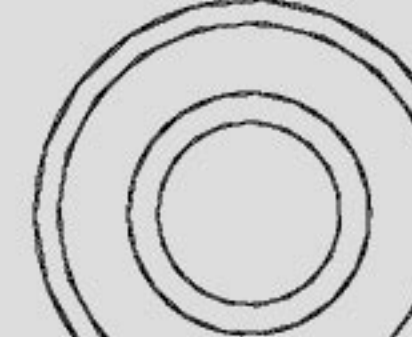


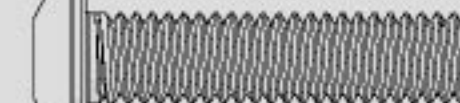
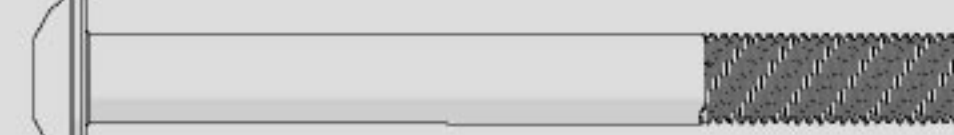
1.

-  38404
4x4mm x1
Set Screw
-  36001
2.5x13.8mm x2
Shaft
-  84076
8x16x5mm x2
Ball Bearing
-  89002-W
6x12x0.15mm x4
Washer
-  87002
4.1x8x0.3mm x4
Washer
-  31315
3x15mm x4
F/H Screw
-  36101
5.8x1.9mm x4
O-ring
-  36102
22x0.9mm x2
O-ring

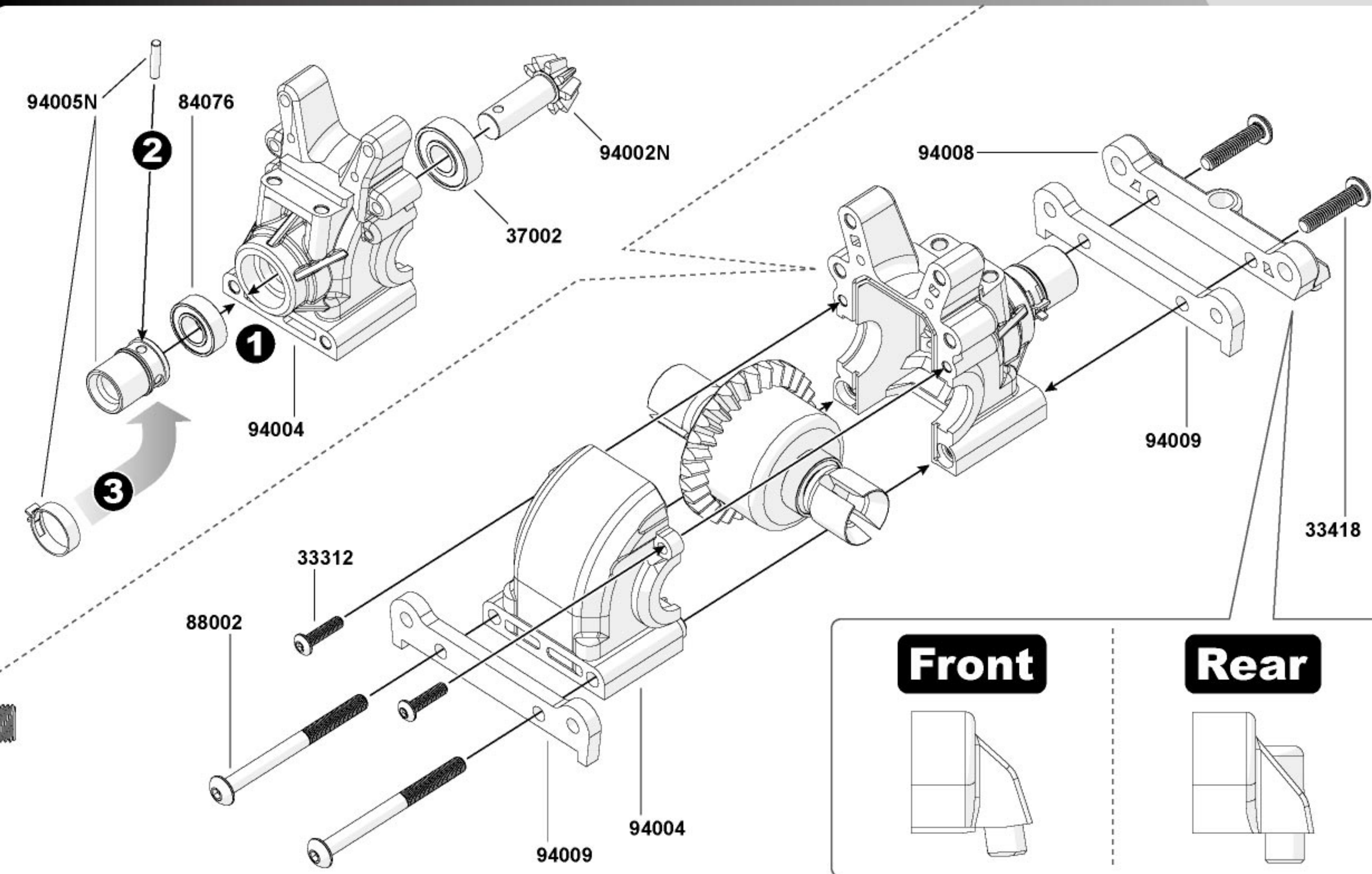
Front / Rear Differential Assembly





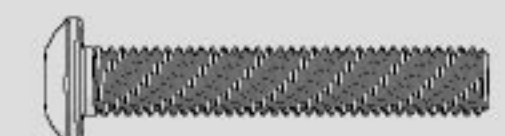

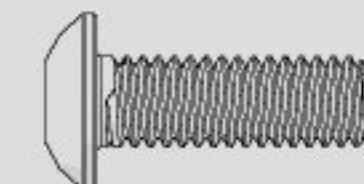
2.

-  84076
8x16x5mm x1
Ball Bearing
-  37002
8x19x6mm x1
Ball Bearing
-  94005N
2.5x12.8mm x1
Shaft
-  33312
3x12mm x2
B/H Screw
-  33418
4x18mm x2
B/H Screw
-  88002
4x47x20mm x2
Hex Screw

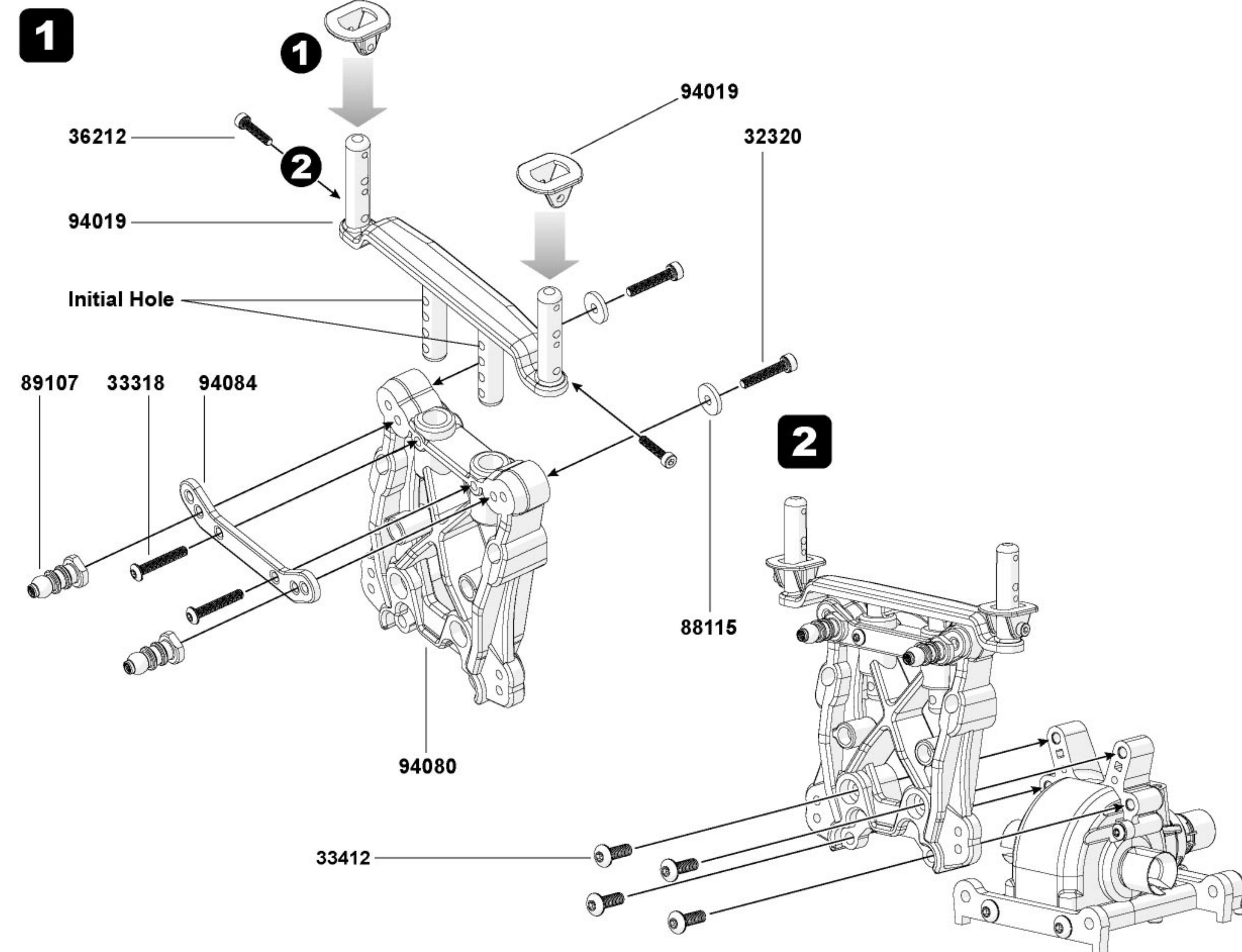
Front / Rear Gear Box & Hinge Pin Holder Assembly



3.

-  36212
2.6x12mm x2
Cap Head Screw
-  32320
3x20mm x2
Cap Head Screw
-  33318
3x18mm x2
B/H Screw
-  88115
Alum Collar x2
-  33412
4x12mm x4
B/H Screw

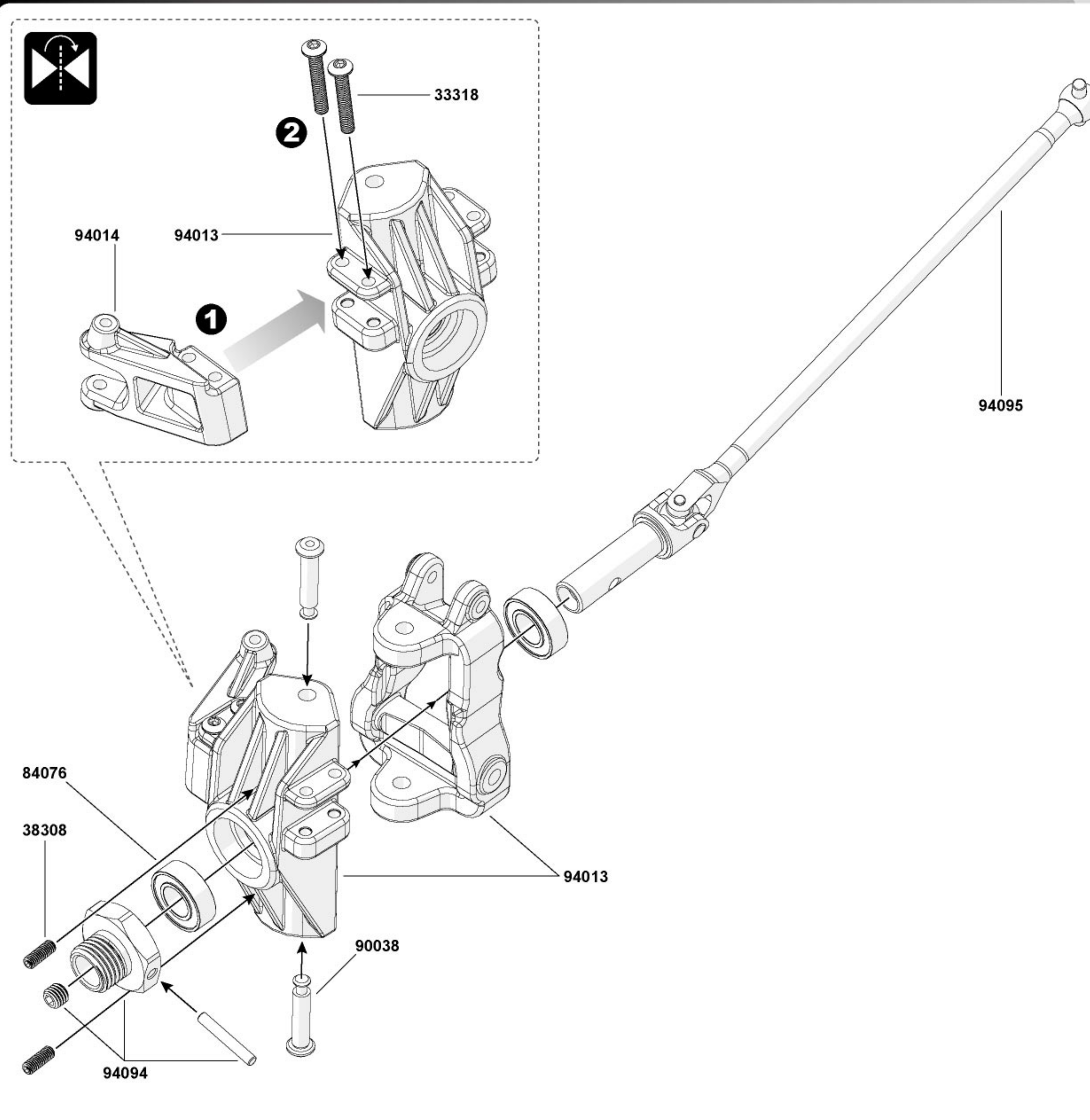
Front / Rear Shock Tower & Body Post Assembly



4.

-  33318
3x18mm x4
B/H Screw
-  84076
8x16x5mm x4
Ball Bearing
-  38504
5x4mm x2
Set Screw
-  38308
3x8mm x4
Set Screw
-  94094
3x19.8mm x1
Shaft

Front / Rear Steering Knuckle & Universal Joint Assembly

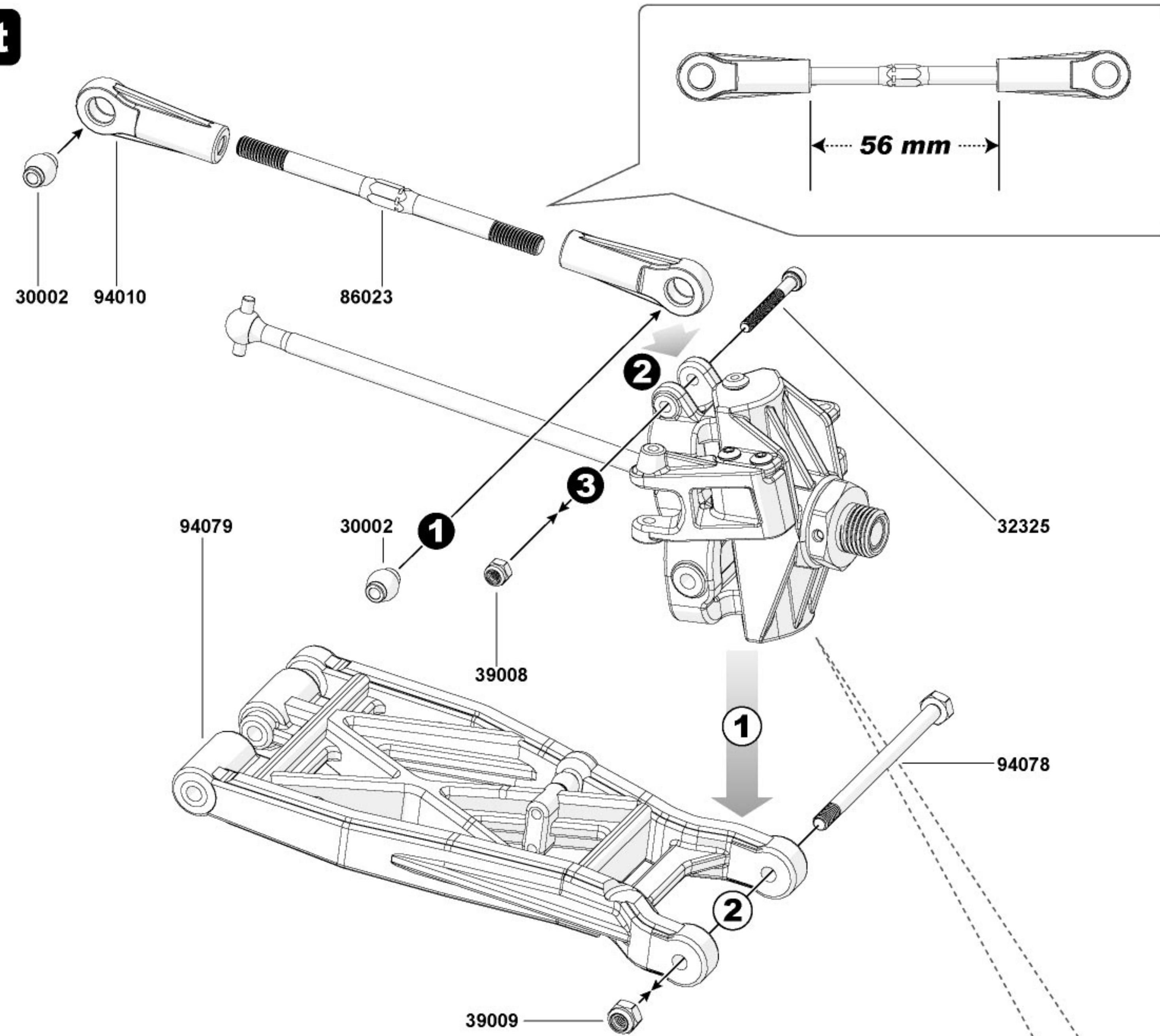


5.

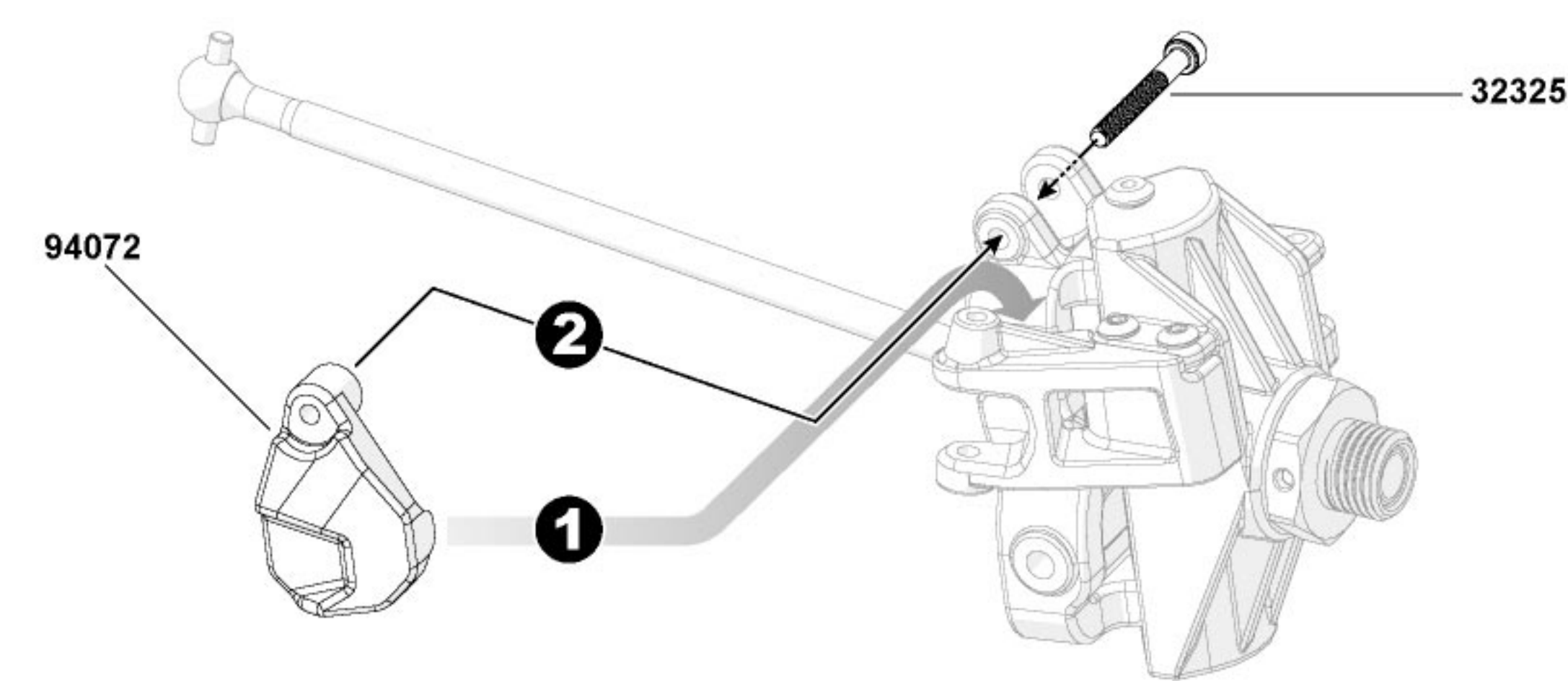
-  39008
M3 Nut x2
-  39009
M4 Nut x2
-  30002
7.8mm x4
Ball Long
-  32325
3x25mm x2
Cap Head Screw
-  94078
4x62mm x2
Hex Cap Head Screw

Front / Rear Suspension Arm Assembly

Front



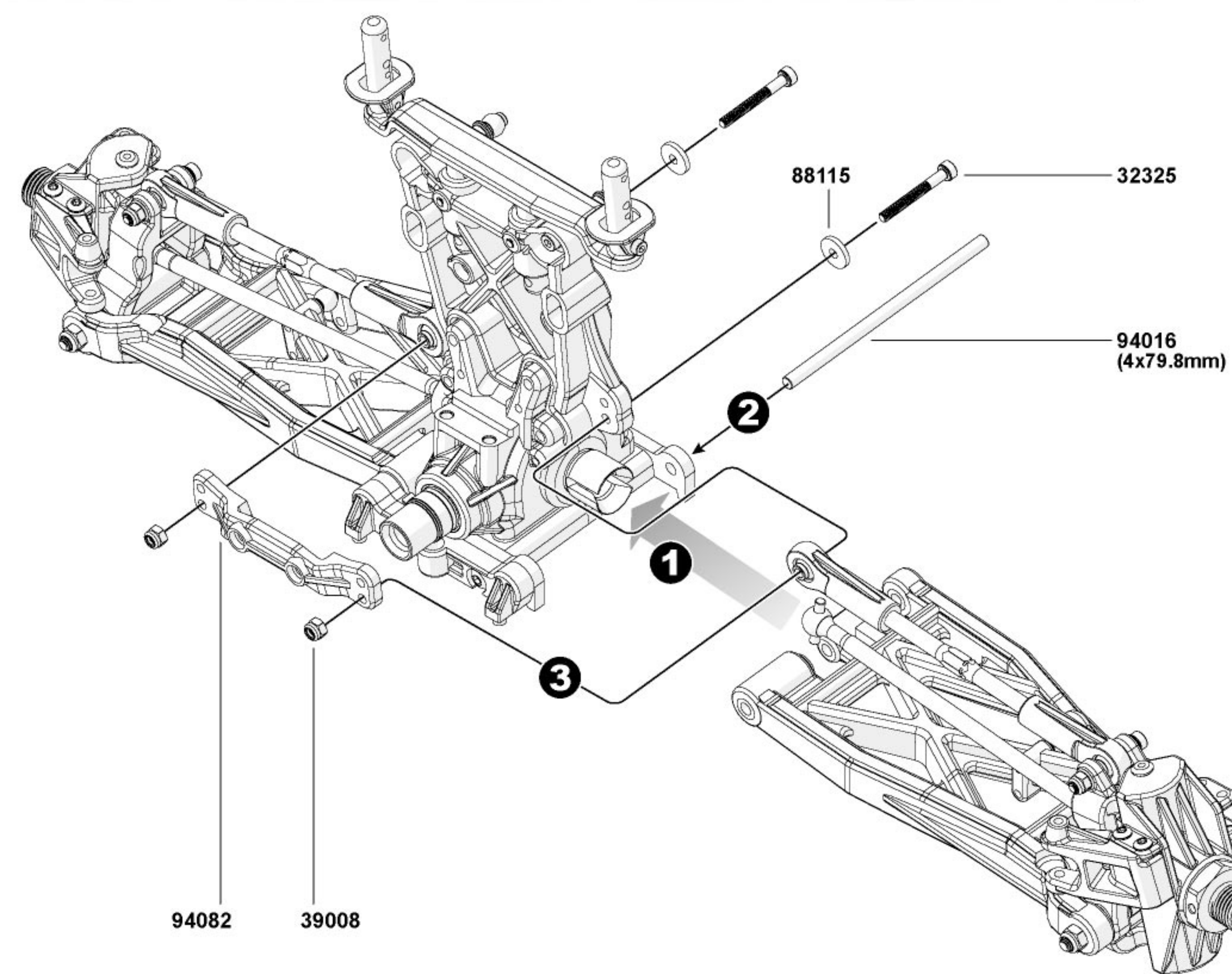
Rear









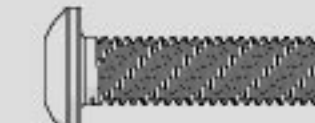

6.

-  88115
Alum Collar x2
-  39008
M3 Nut x2
-  32325
3x25mm x2
Cap Head Screw

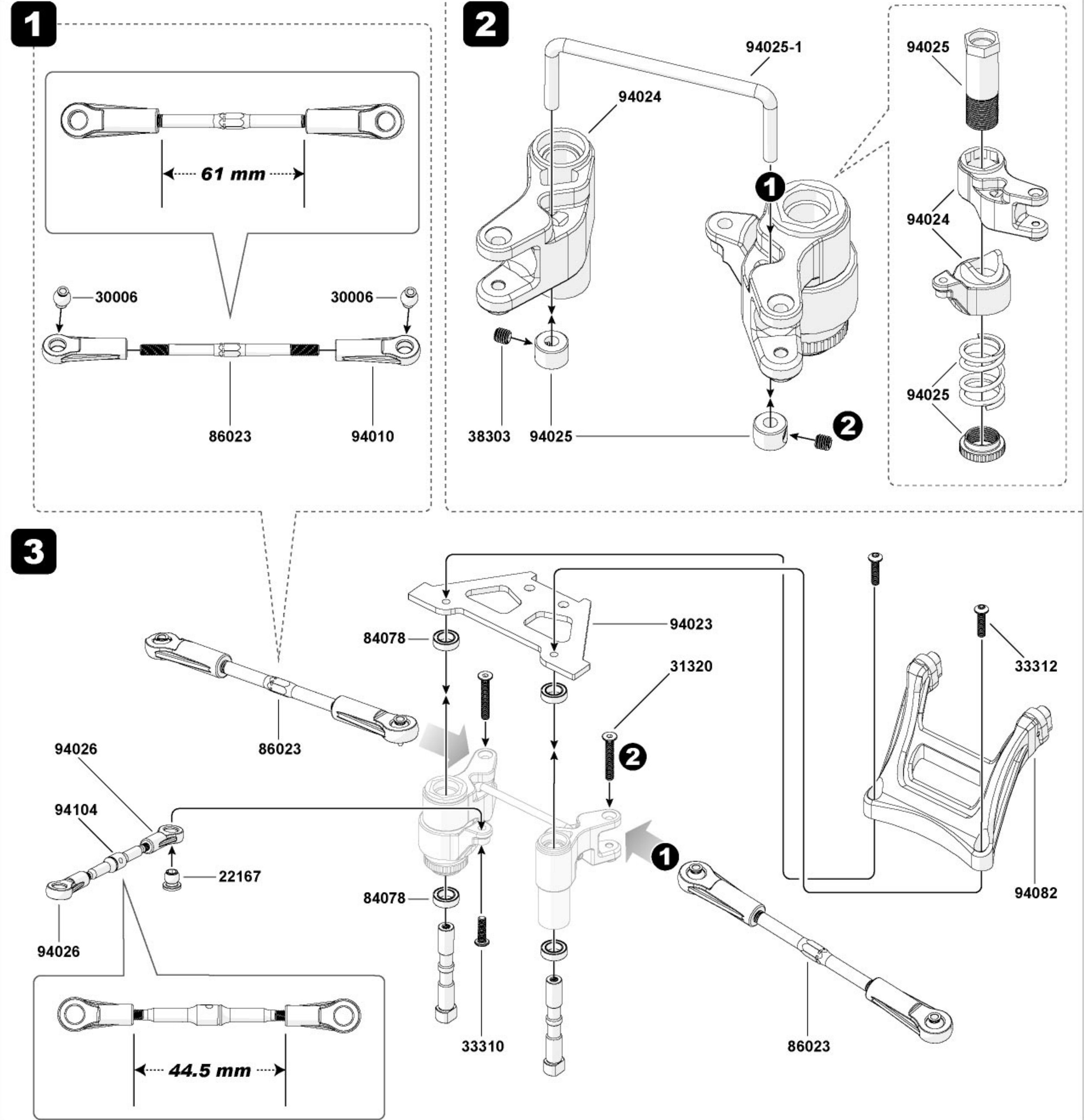
Front Suspension Assembly





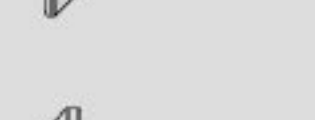
7.

-  30006
7.8mm x4
Ball Ends
-  38303
3x3mm x2
Set Screw
-  94025
Collar x2
-  84078
6x10x3mm x4
Ball Bearing
-  31320
3x20mm x2
F/H Screw
-  33312
3x12mm x2
B/H Screw
-  33310
3x10mm x1
B/H Screw
-  22167
3x3mm x1
Ball Joint

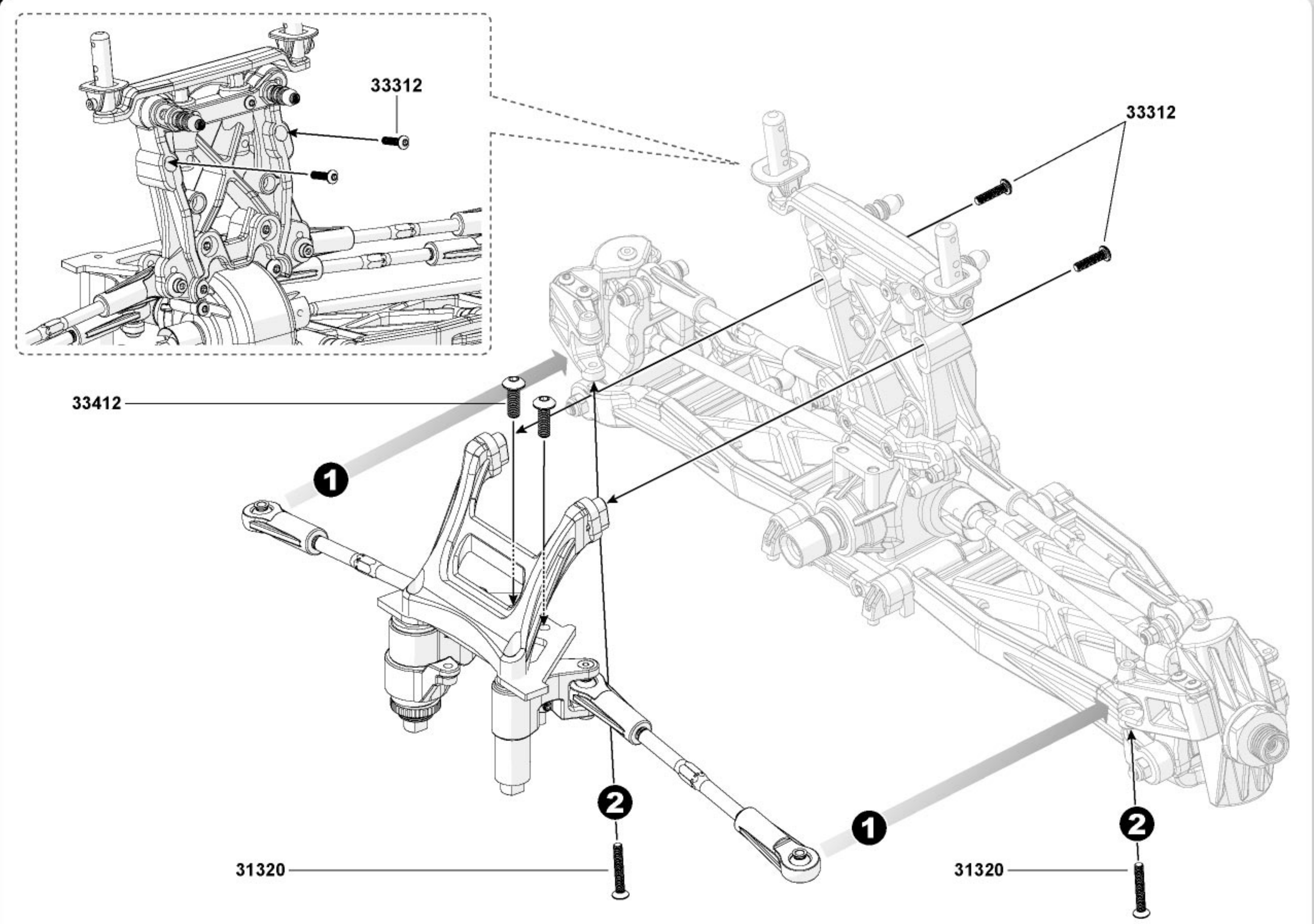
Servo Saver Assembly 1



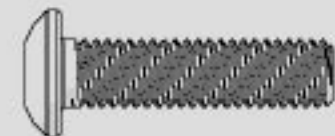
8.

-  33412
4x12mm x2
B/H Screw
-  31320
3x20mm x2
F/H Screw
-  33312
3x12mm x2
B/H Screw

Servo Saver Assembly 2

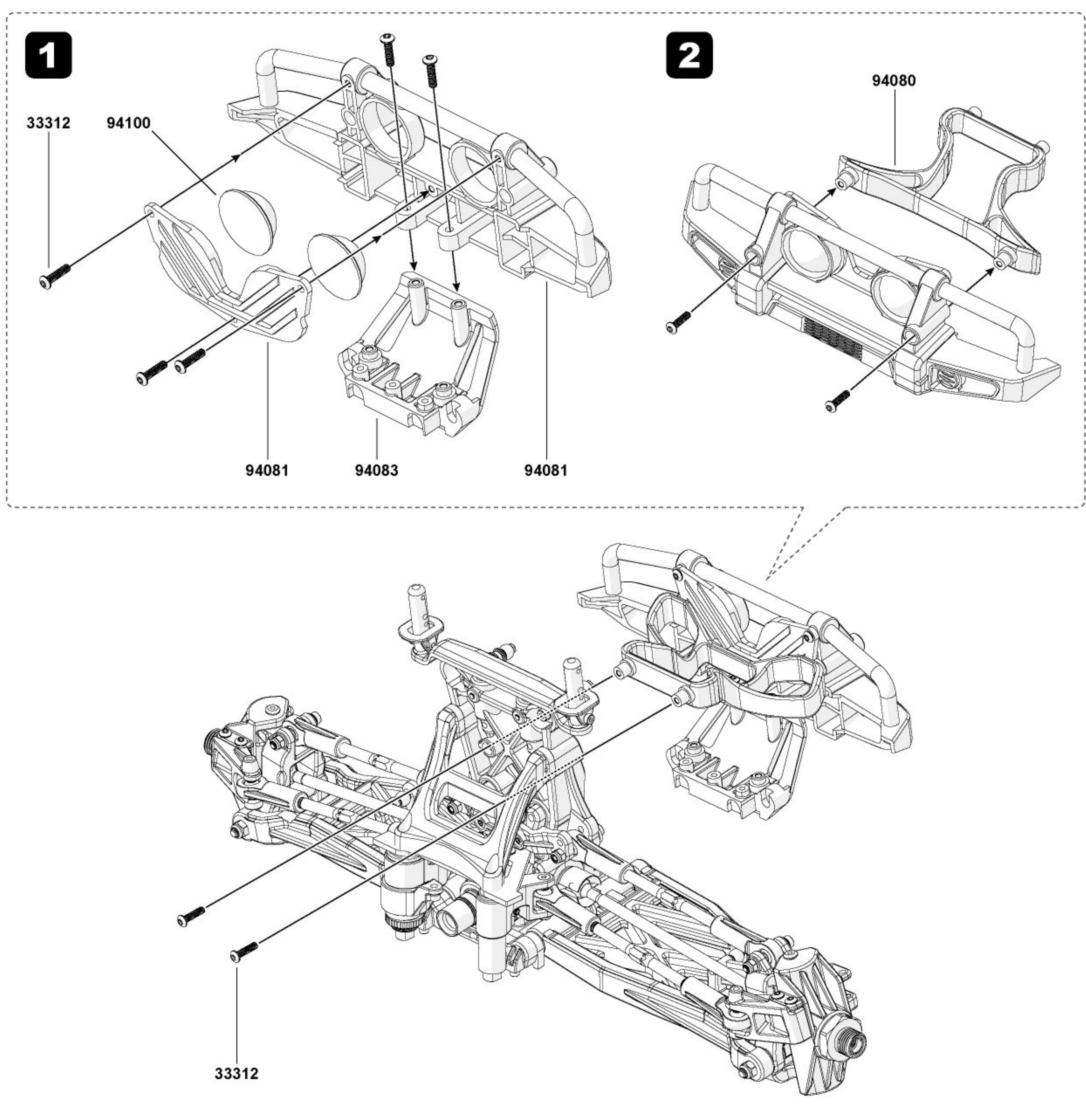


9.



33312
3x12mm x9
B/H Screw

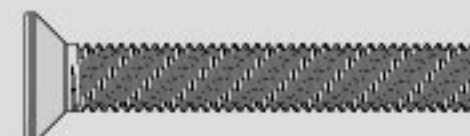
Front Bumper Skid / New Headlight Assembly



10.

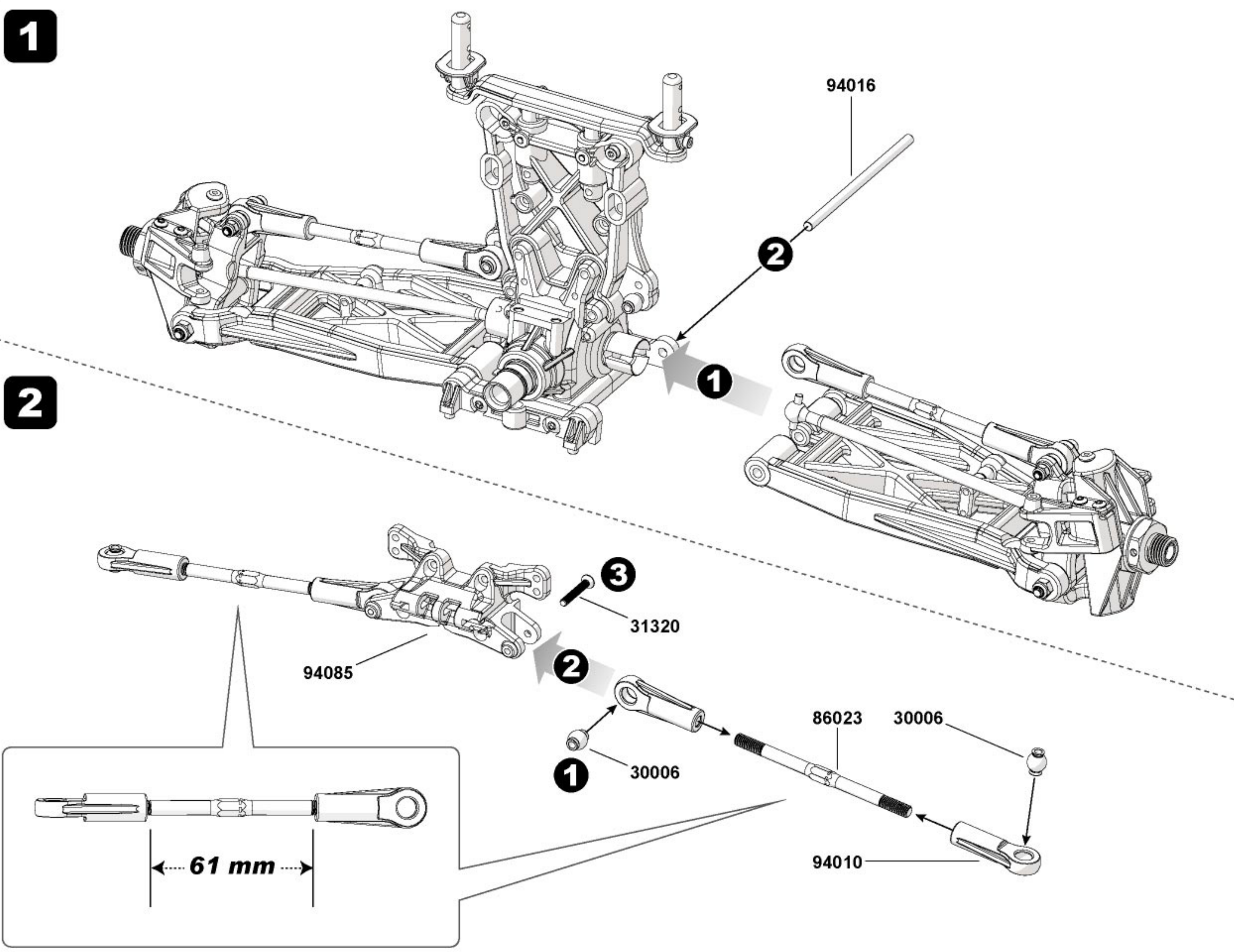


30006
7.8mm x2
Ball Ends

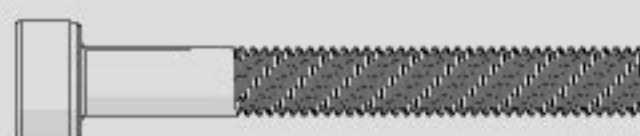


31320
3x20mm x2
F/H Screw

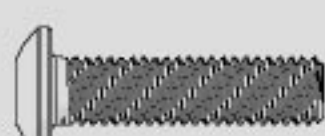
Rear Suspension Assembly 1



11.



32325
3x25mm x2
Cap Head Screw



33312
3x12mm x4
B/H Screw



88115
Alum Collar x2

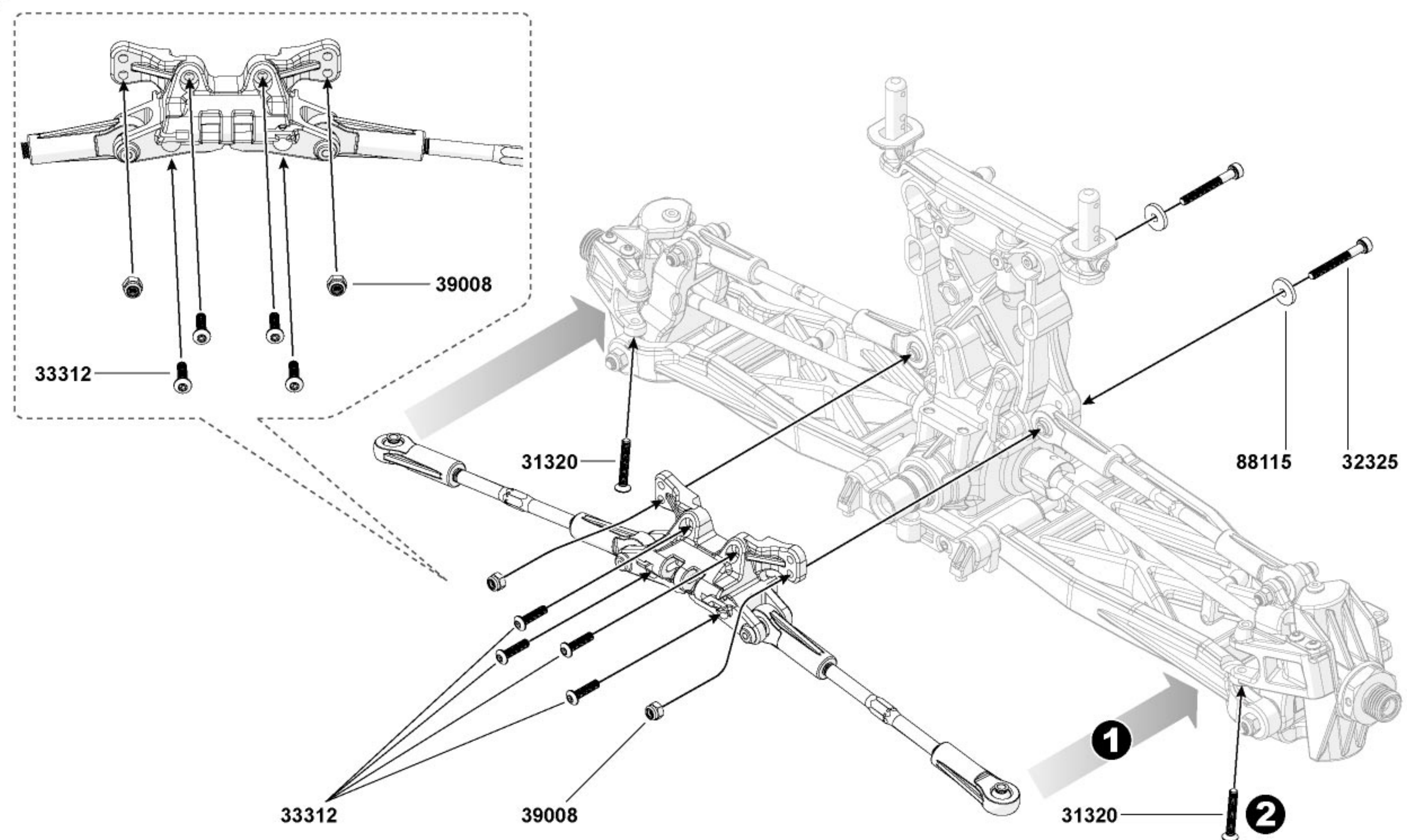


39008
M3 Nut x2

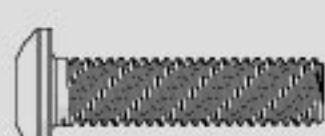


31320
3x20mm x2
F/H Screw

Rear Suspension Assembly 2



12.



33312
3x12mm x6
B/H Screw

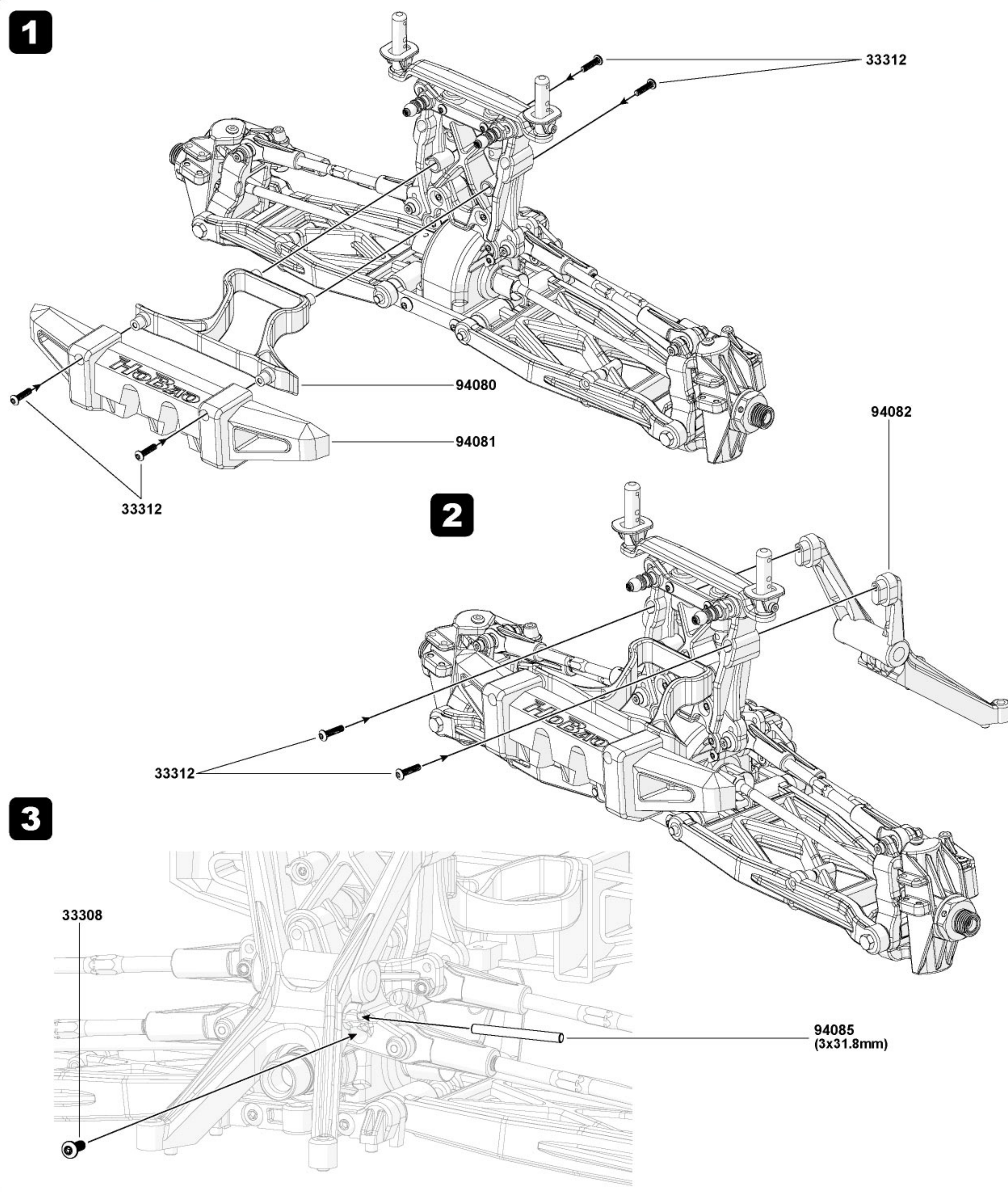


33308
3x8mm x1
B/H Screw

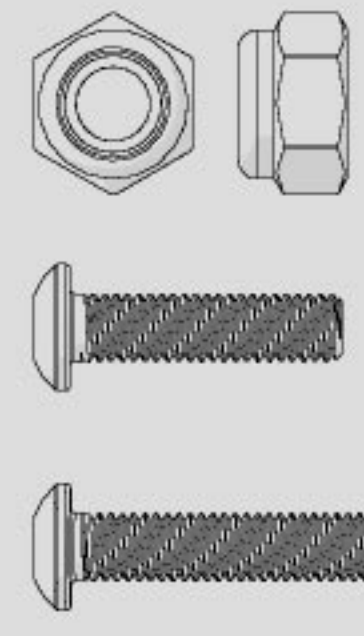


94085
3x31.8mm x1
Shaft

Rear Bumper & Brace Assembly



13.

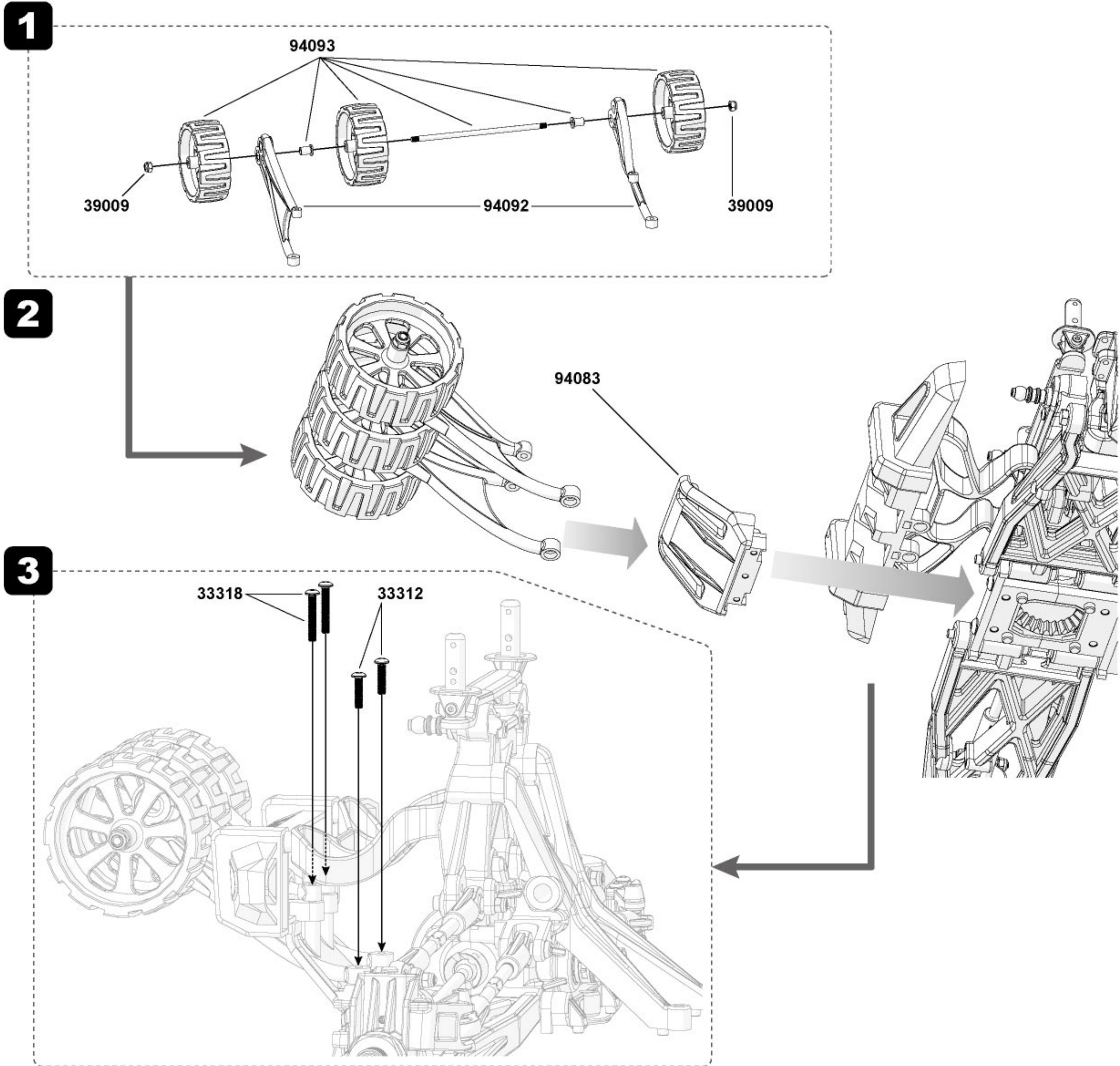


39009
M4 Nut x2

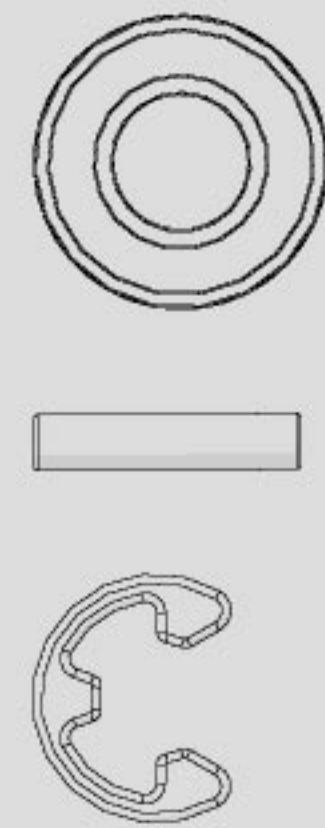
33312
3x12mm x2
B/H Screw

33318
3x18mm x2
B/H Screw

Wheelie Bar Wheel Assembly



14.

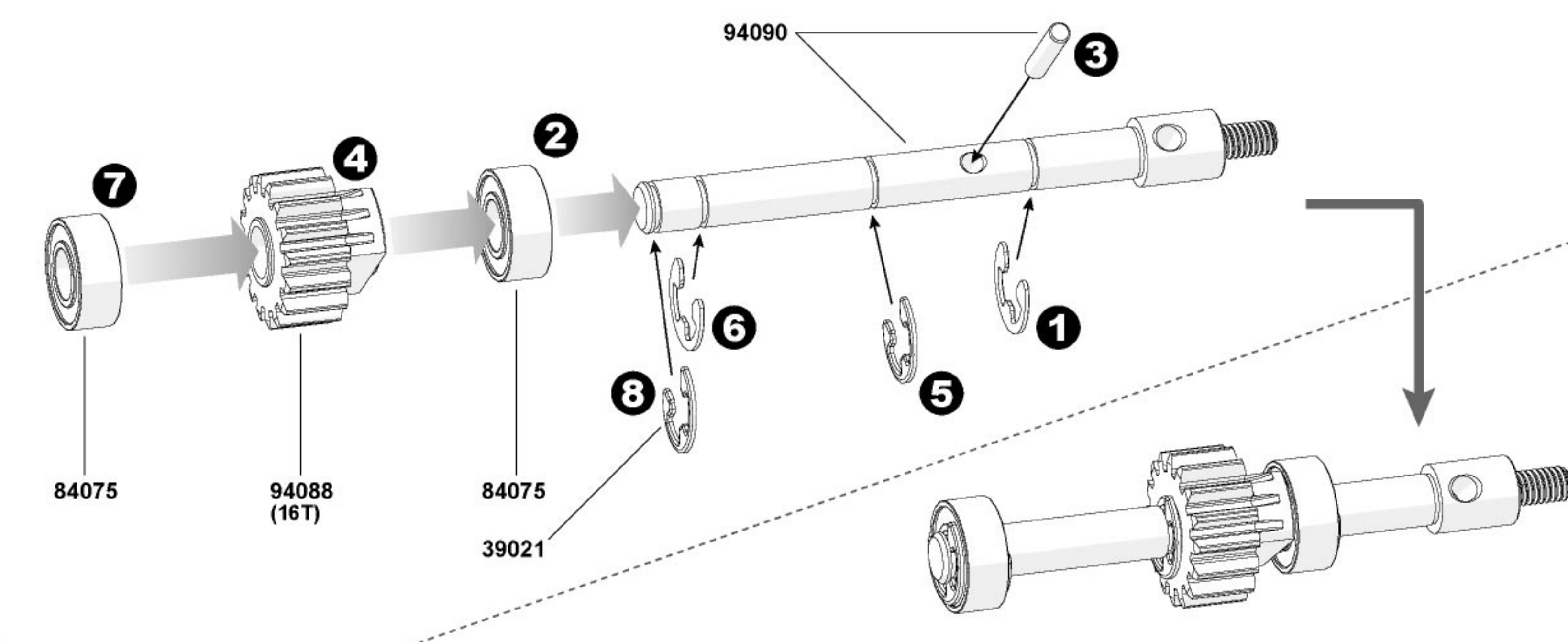


84075
6x13x5mm x2
Ball Bearing

94090
2.5x11.8mm x1
Shaft

39021
5x0.6mm x4
E-Clip

Center Differential & Mount Assembly 1



15.

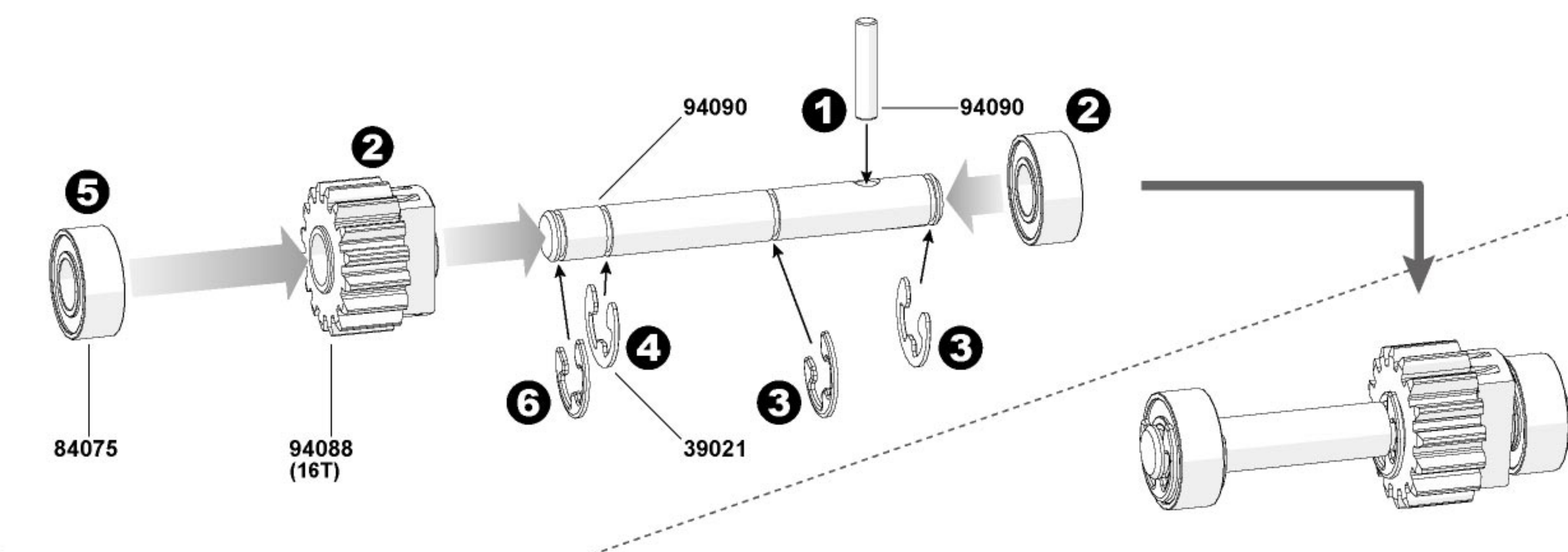


84075
6x13x5mm x2
Ball Bearing

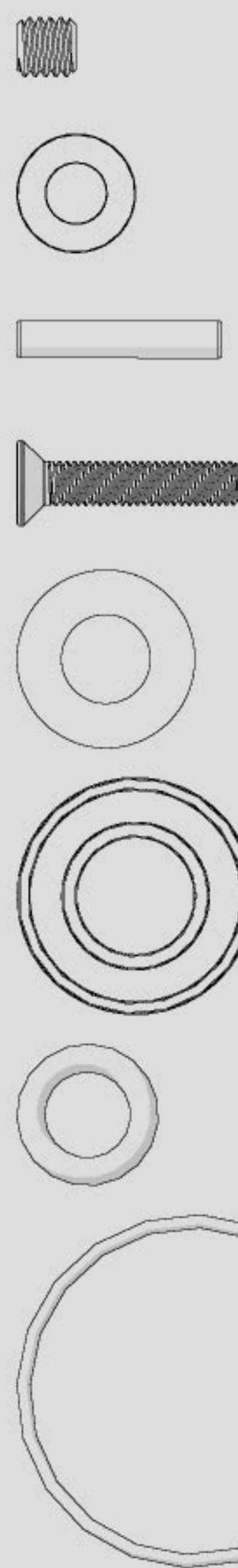
94090
2.5x11.8mm x1
Shaft

39021
5x0.6mm x4
E-Clip

Center Differential & Mount Assembly 2



16.



38404
4x4mm x1
Set Screw

87002
4.1x8x0.25mm x4
Washer

36001
2.5x13.8mm x2
Shaft

31315
3x15mm x4
F/H Screw

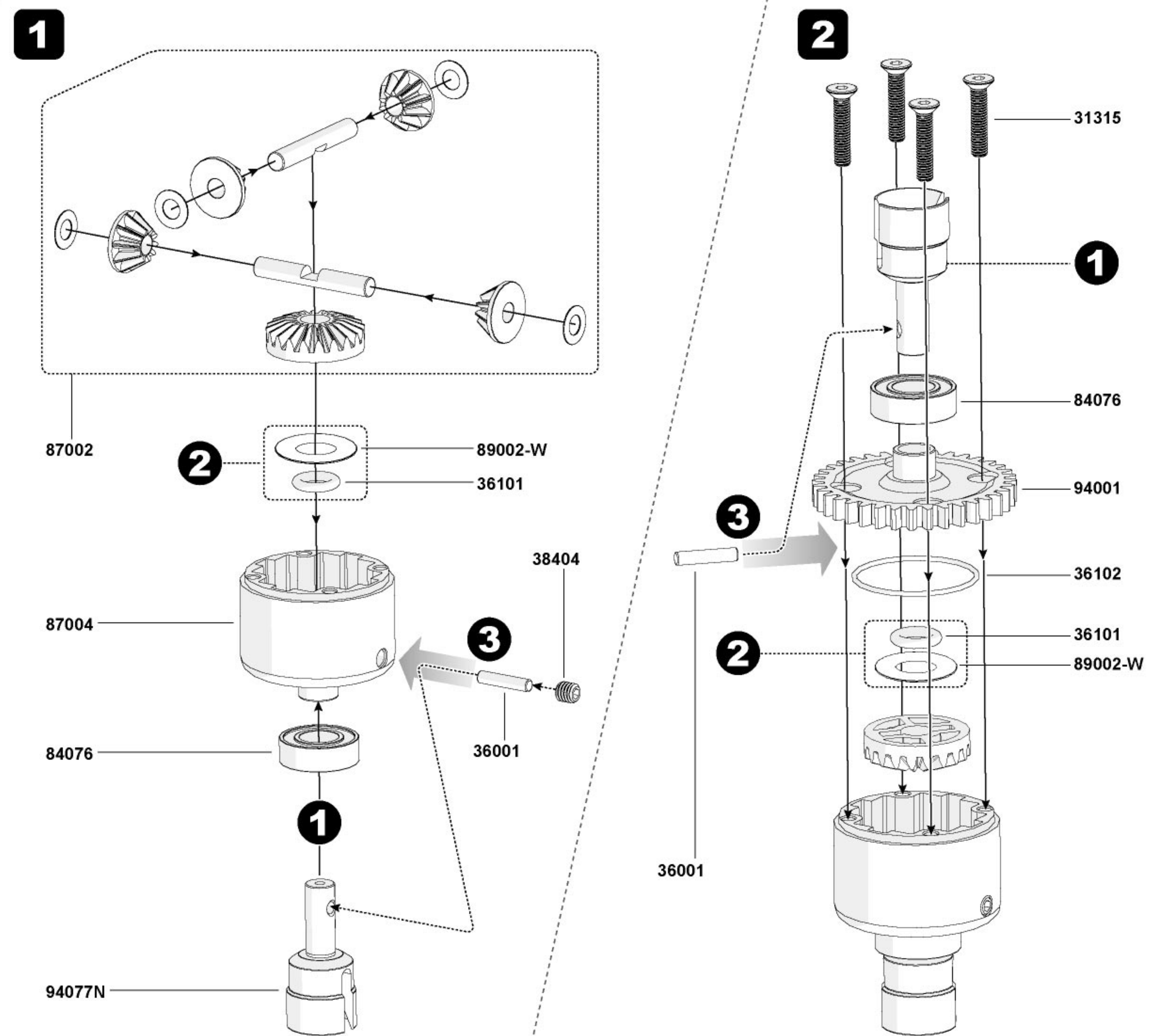
89002-W
6x12x0.15mm x4
Washer

84076
8x16x5mm x2
Ball Bearing

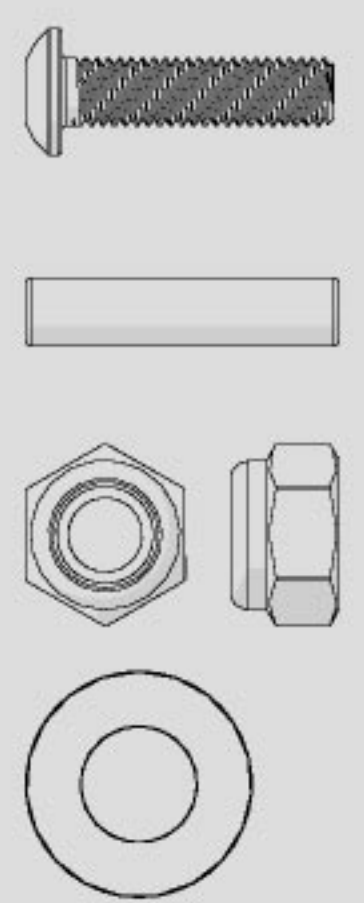
36101
5.8x1.9mm x4
O-ring

36102
22x0.9mm x2
O-ring

Center Differential & Mount Assembly 3



17.



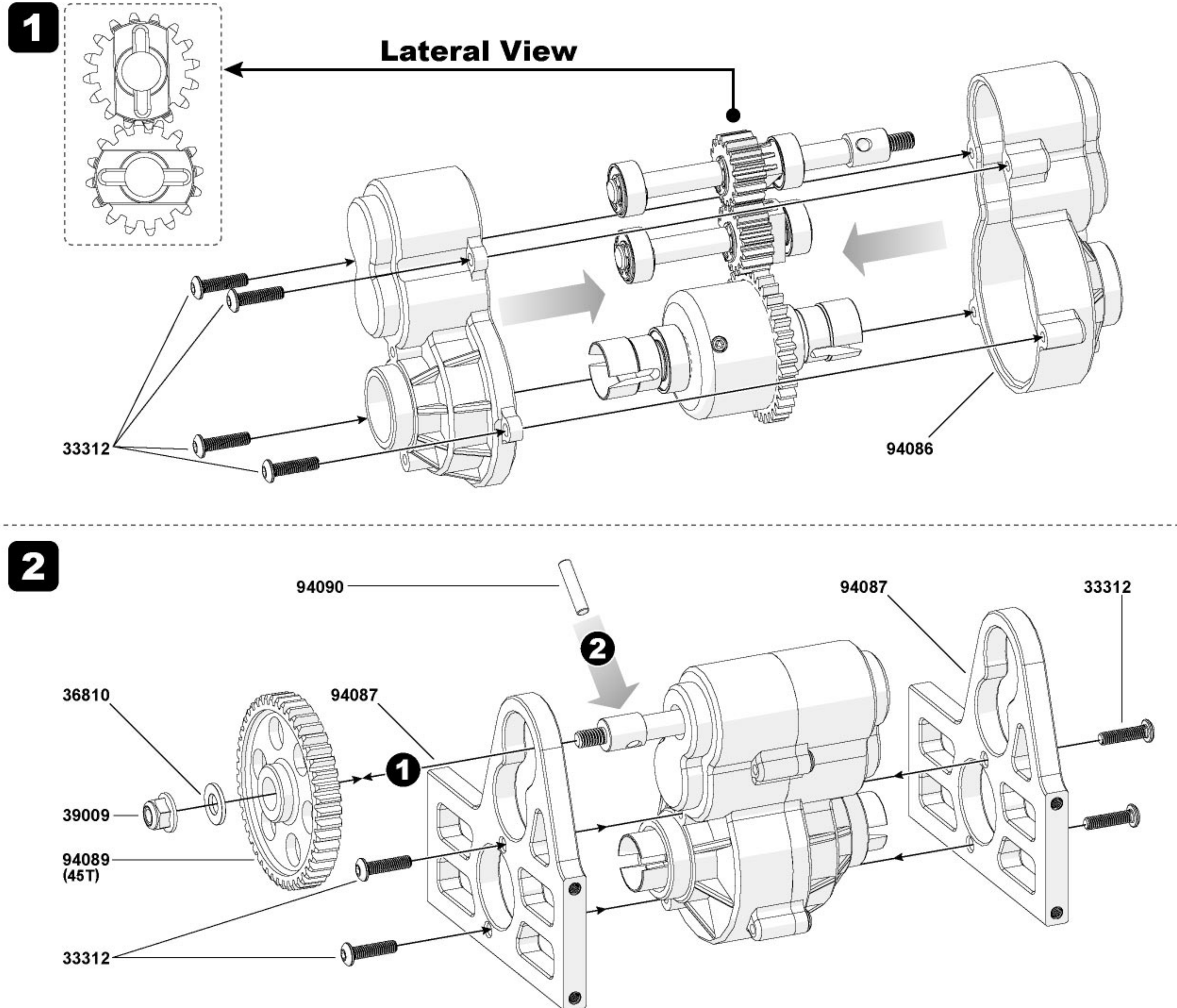
33312
3x12mm x8
B/H Screw

94090
3x13.8mm x1
Shaft

39009
M4 Nut x1

36810
5.1x10x0.8mm x1
Washer

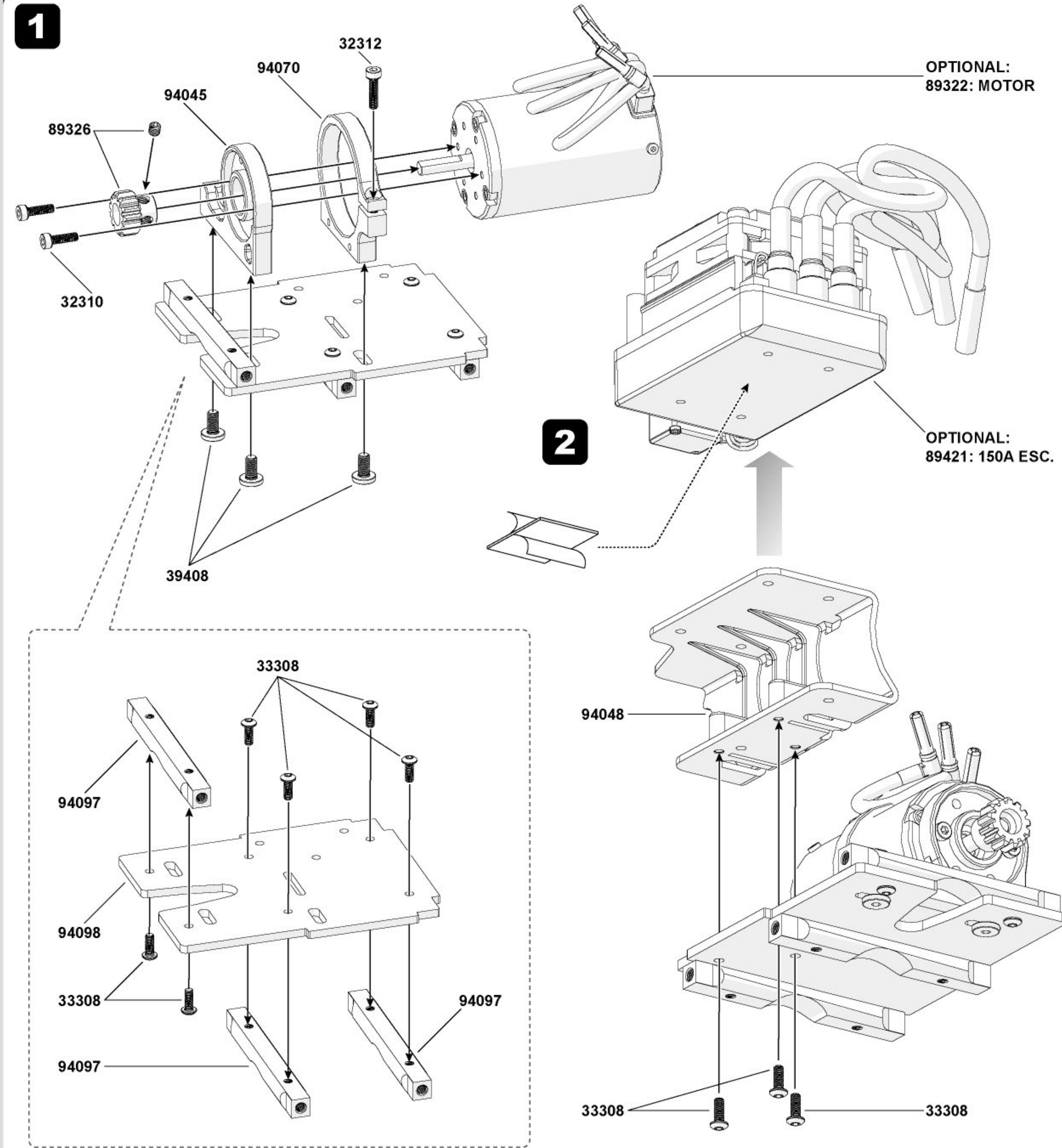
Center Differential & Mount Assembly 4



18.

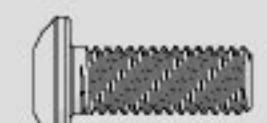





ESC. / Motor & Mounting Plate / Holder Assembly

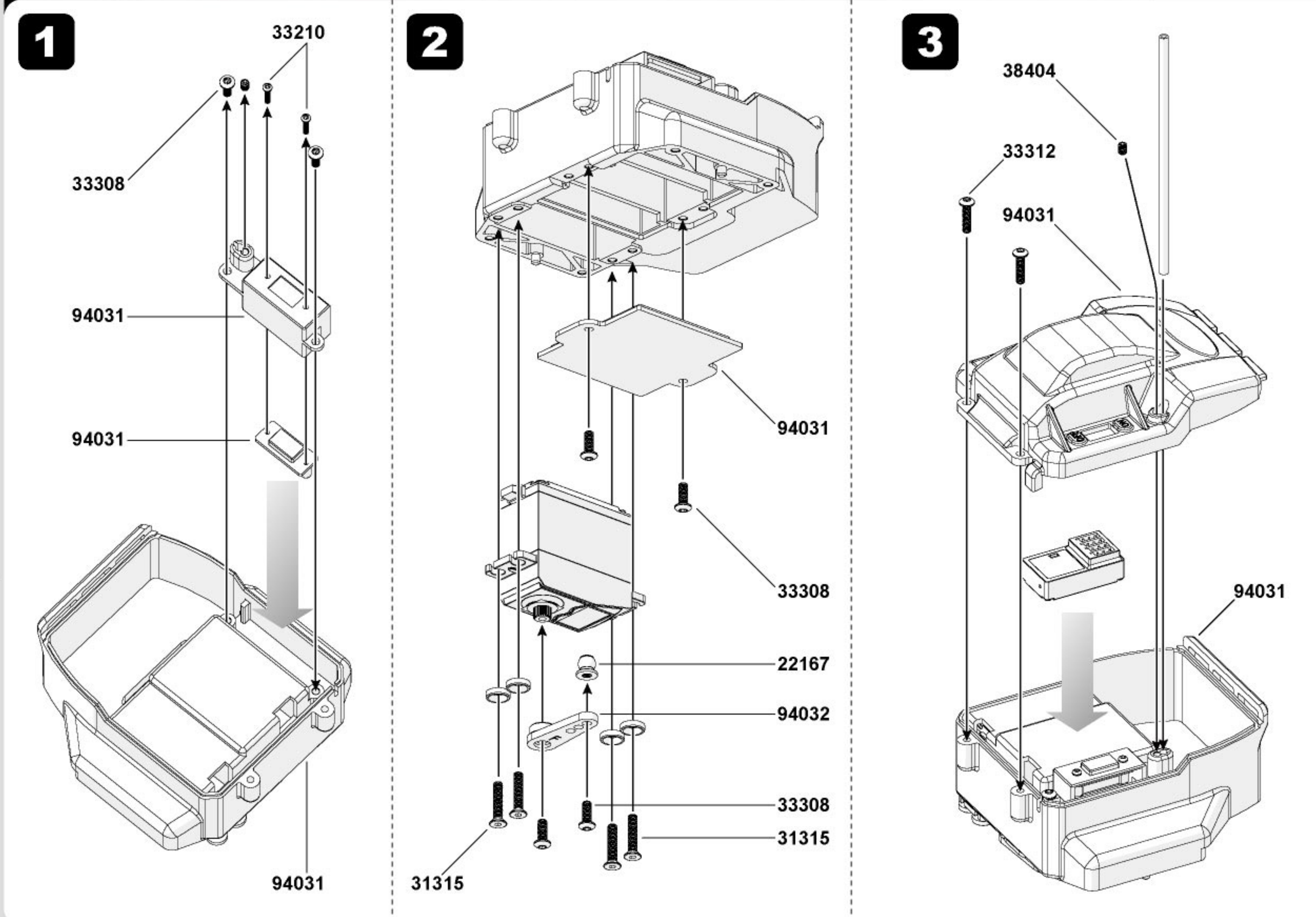
-  33308
3x8mm x9
B/H Screw
-  39408
4x8mm x3
"I" Head Screw
-  32310
3x10mm x3
Cap Head Screw
-  32312
3x12mm x1
Cap Head Screw
-  38504
5x4mm x1
Set Screw



19.

Servo And Radio Box Assembly

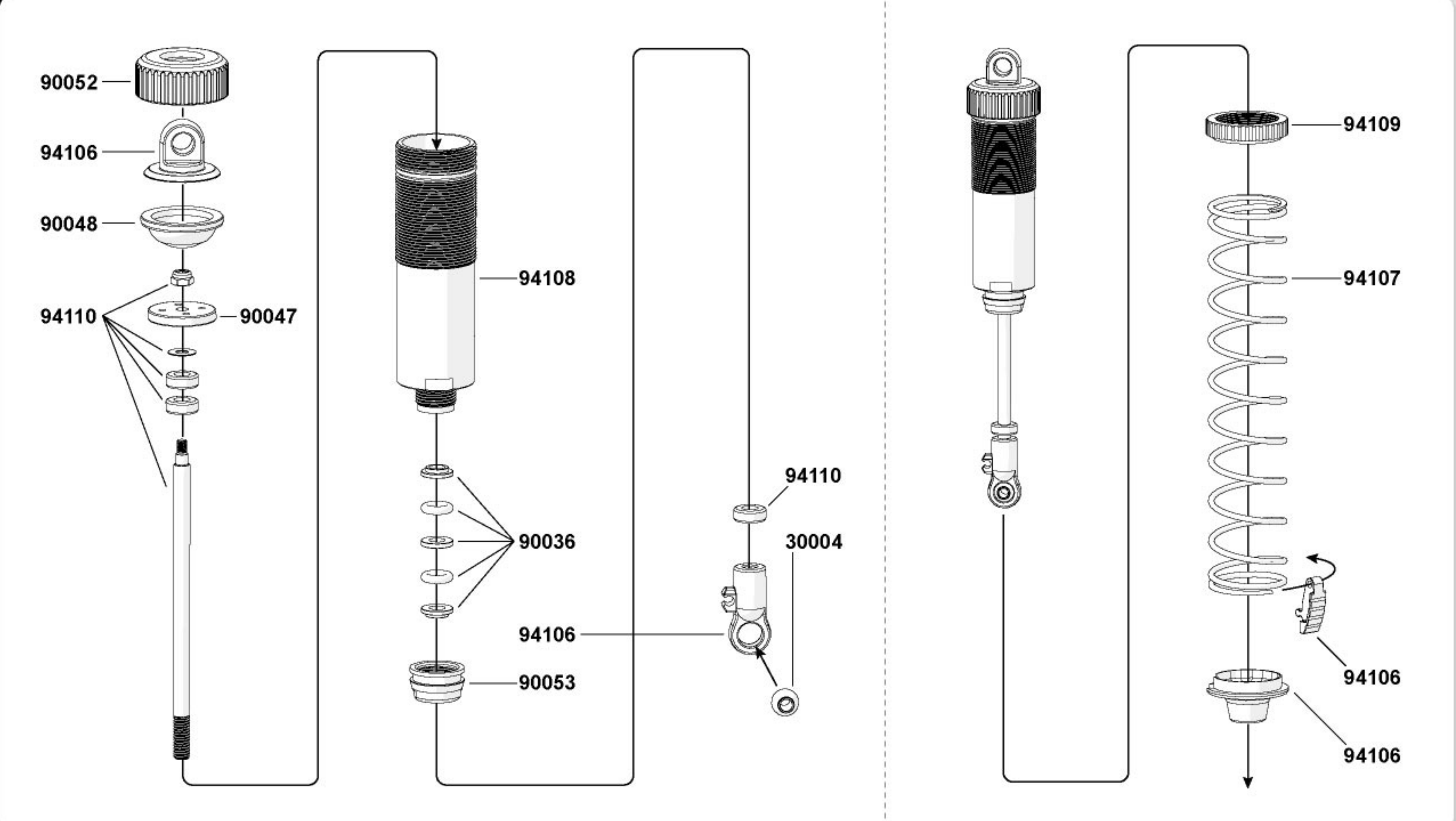
-  33308
3x8mm x6
B/H Screw
-  33210
2x10mm x2
B/H Screw
-  38304
3x4mm x1
Set Screw
-  31315
3x15mm x4
F/H Screw
-  22167
5.8mm x1
Steel Ball
-  33312
3x12mm x2
B/H Screw



20.

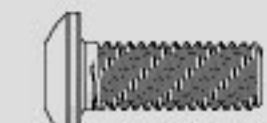


Front / Rear Shock Assembly 1

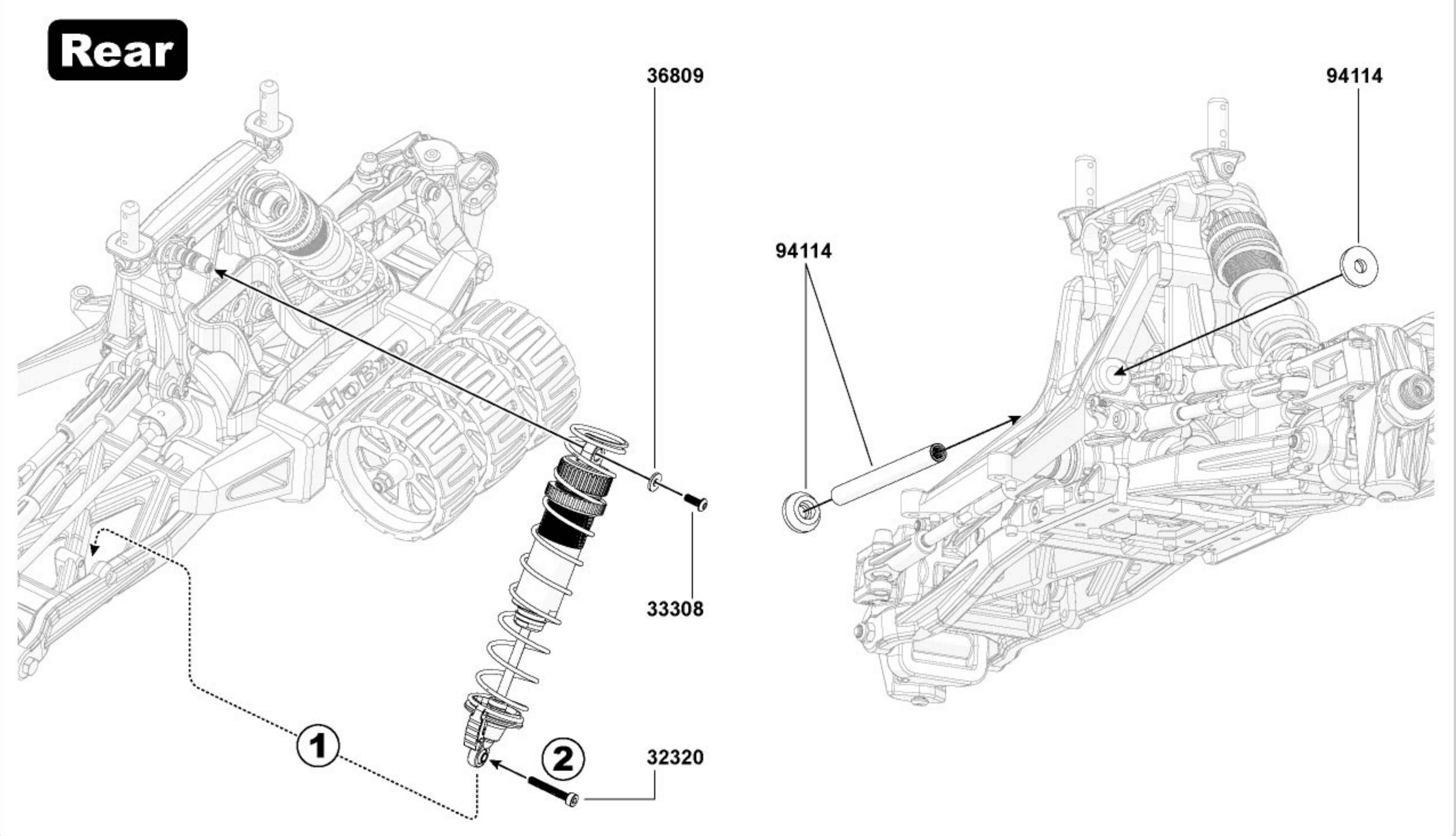
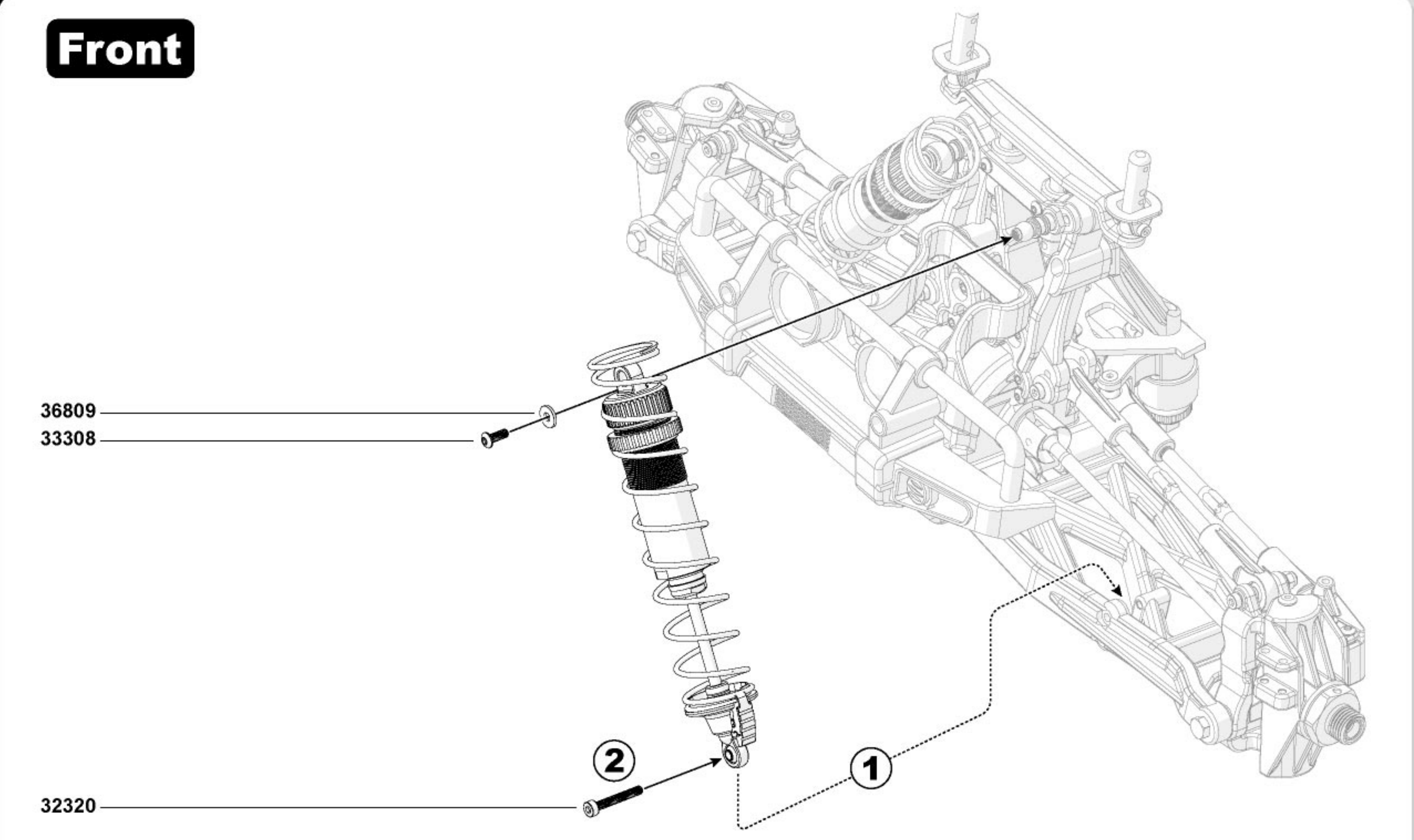
-  39007
M2.5 Nut x4
-  94110
3.1x7x0.25mm x4
Washer
-  90036
O-ring Shield x8
-  90036
4x2mm x8
O-ring
-  90036
4.05x7.96x1.2mm x4
Washer
-  30004
6.8mm x4
Ball





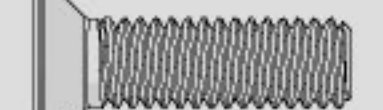






21.

Front / Rear Shock Assembly 2

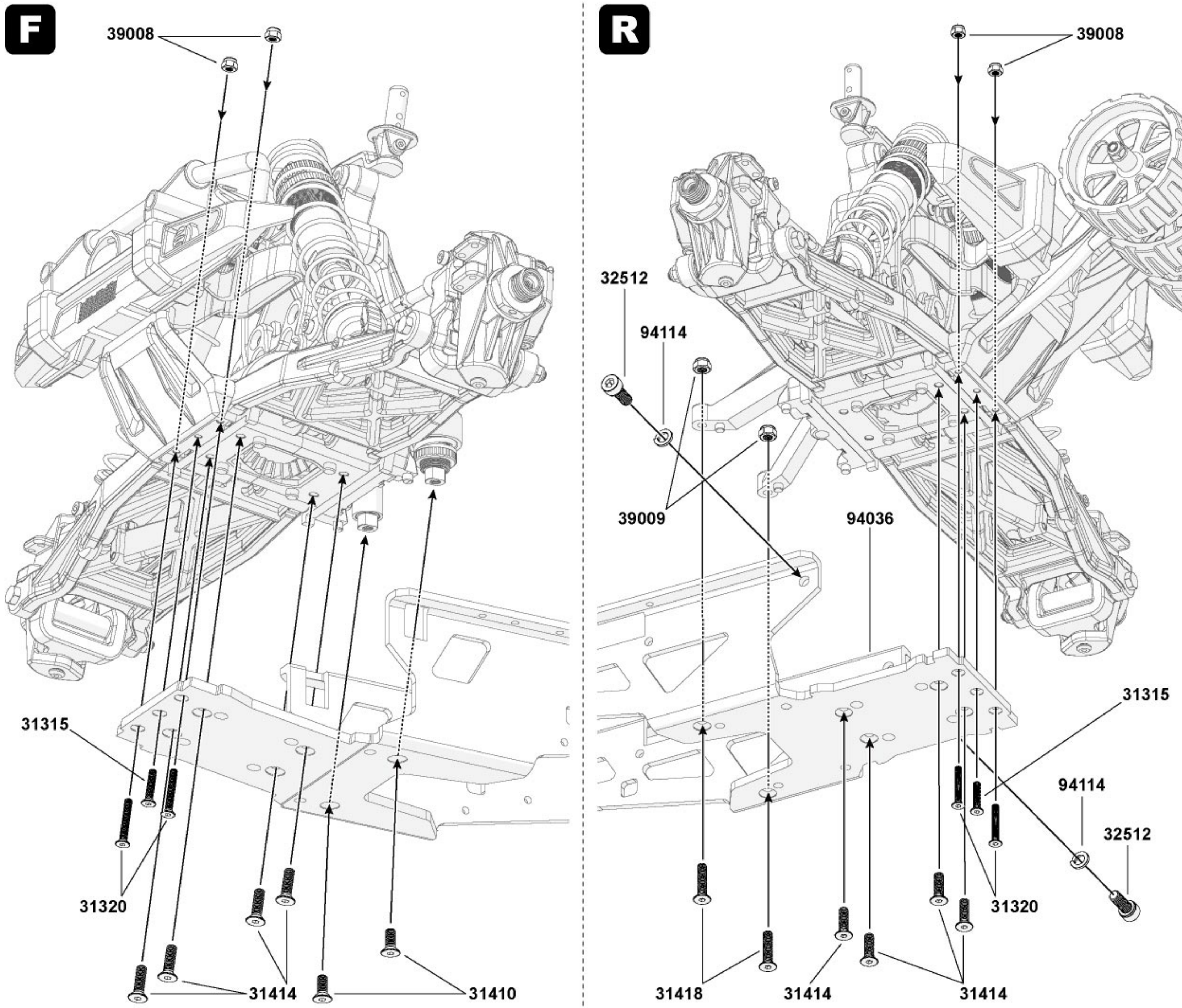
-  33308
3x8mm x4
B/H Screw
-  36809
3.1x8x1mm x4
Washer
-  32320
3x20mm x4
Cap Head Screw





22.

-  31320
3x20mm x4
F/H Screw
-  31315
3x15mm x2
F/H Screw
-  31414
4x14mm x8
F/H Screw
-  32512
5x12mm x2
Head Cap Screw
-  31410
4x10mm x2
F/H Screw
-  31418
4x18mm x2
F/H Screw
-  39008
M3 Nut x4
-  39009
M4 Nut x2
-  94114
5.1x8.5x2mm x2
Spring Washer

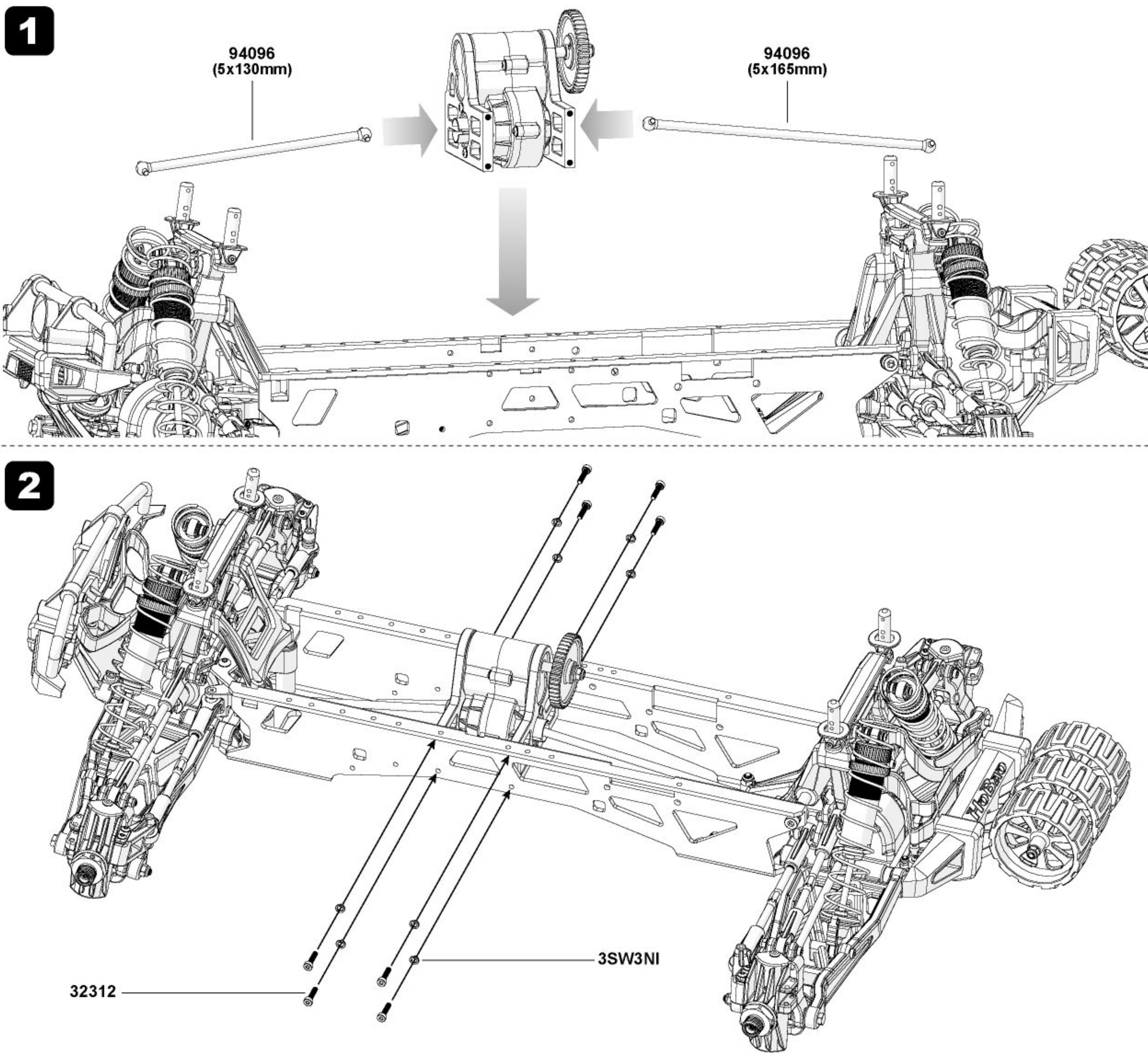
Front / Rear Clip onto Chassis Frame Assembly



23.

-  32312
3x12mm x8
Head Cap Screw
-  3SW3NI
3.1x5x1mm x8
Spring Washer

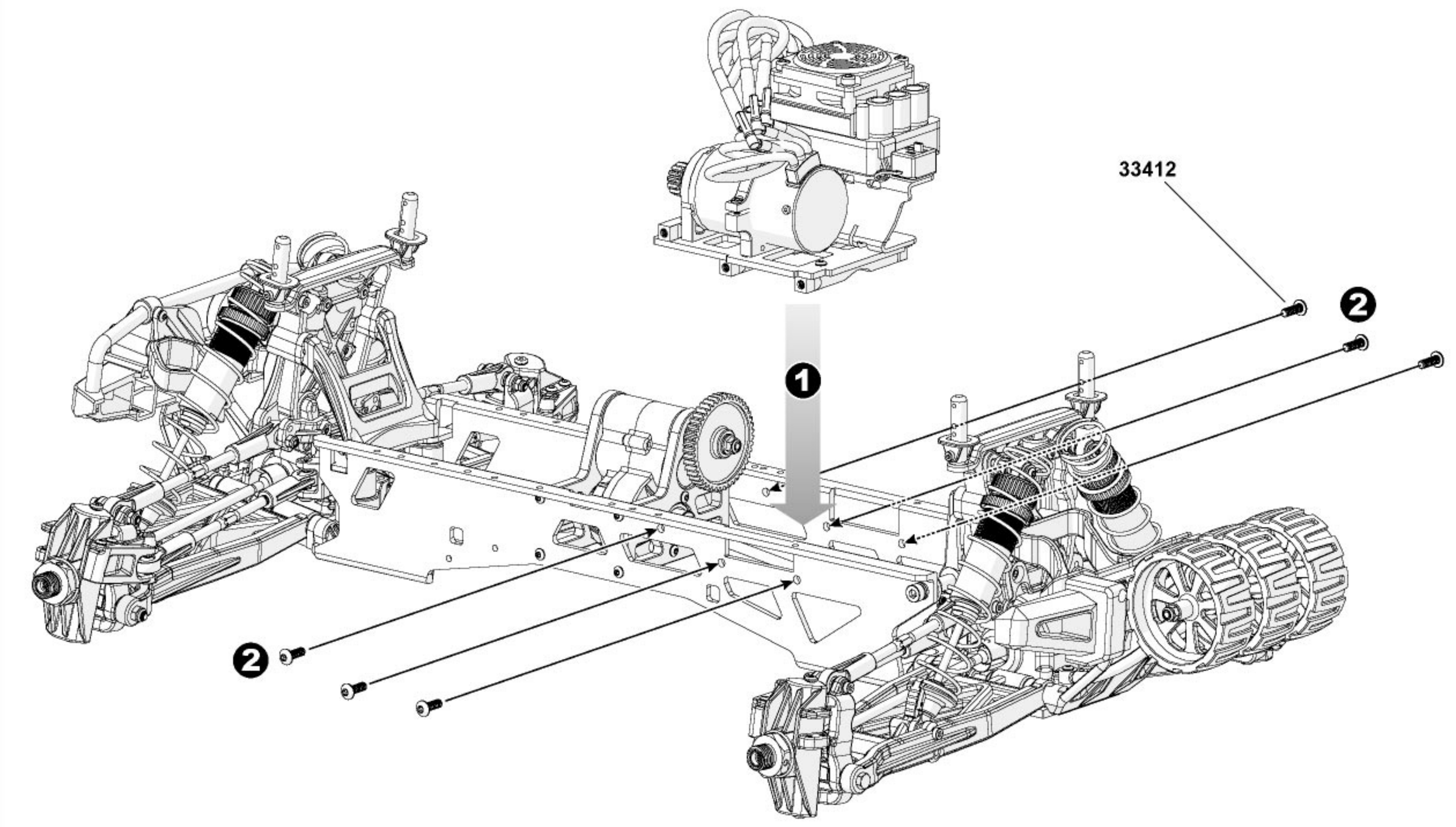
Center Transmission & Drive Shaft Assembly



24.

-  33412
4x12mm x6
B/H Screw

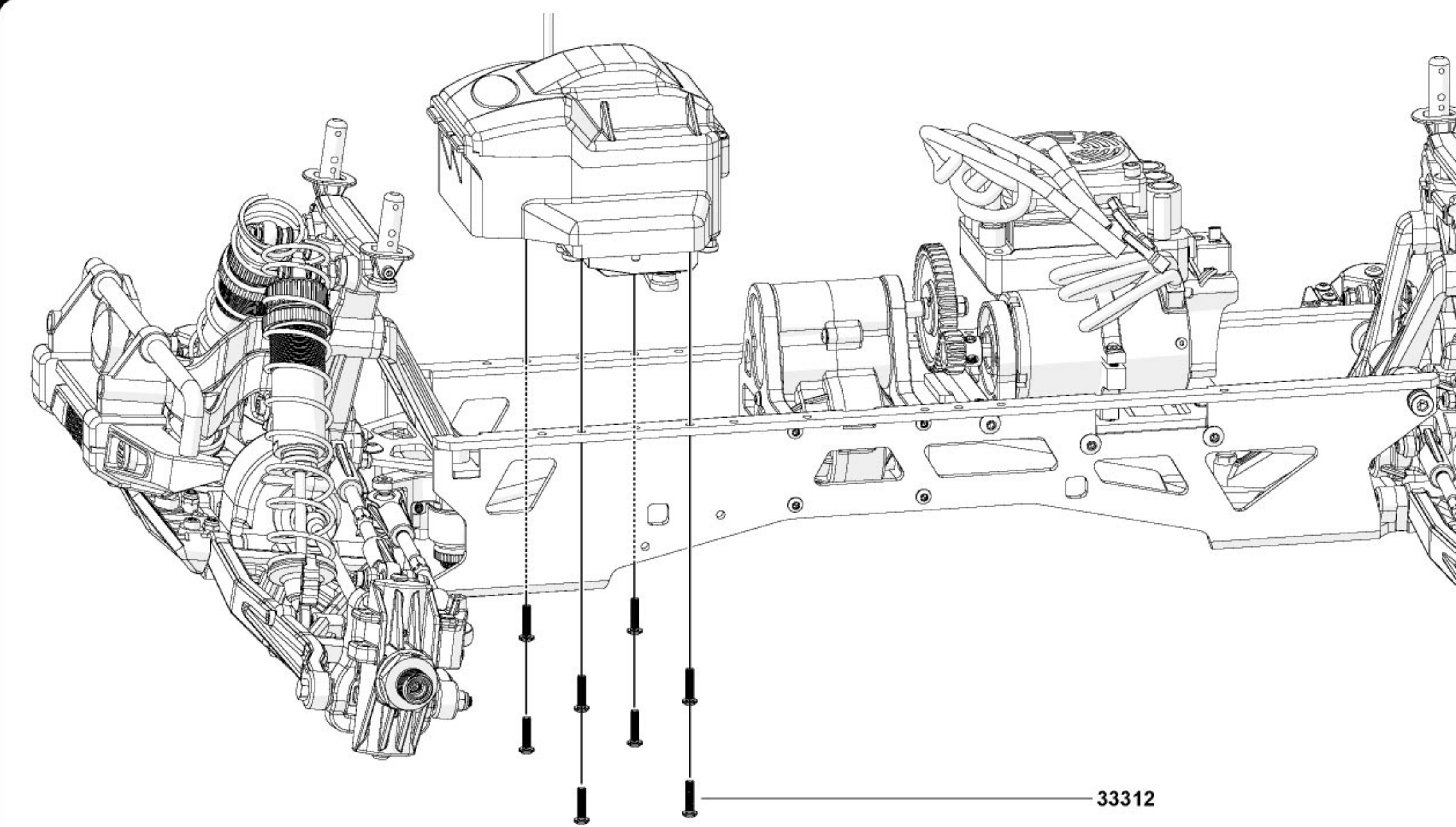
Motor Mount onto Chassis Frame Assembly



25.

-  33312
3x12mm x12
B/H Screw


Radio Box onto Chassis Frame Assembly

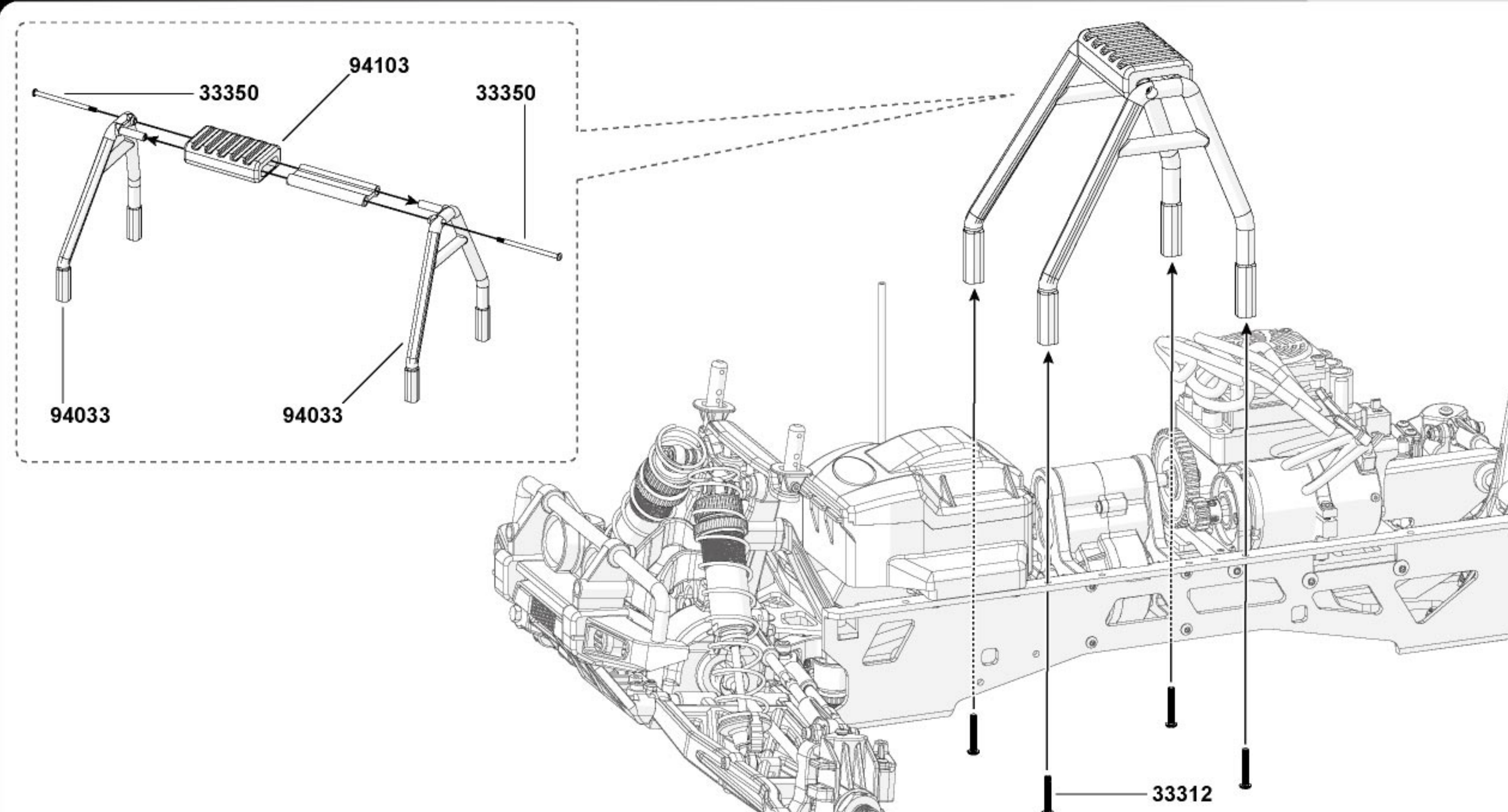


26.

-  33312
3x12mm x4
B/H Screw

Roll Bar Assembly

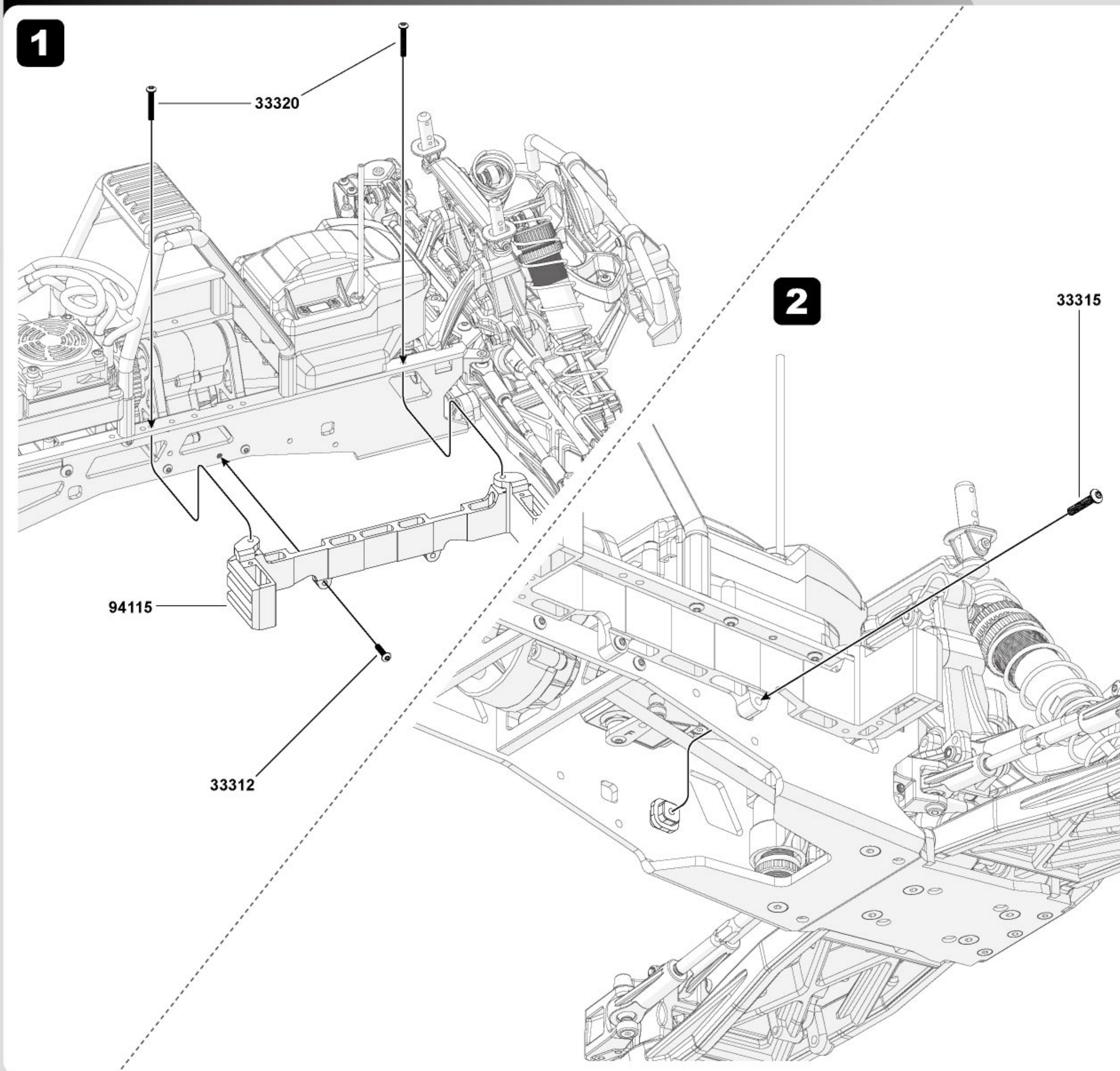
-  33350
3x50mm x2
B/H Screw



27.

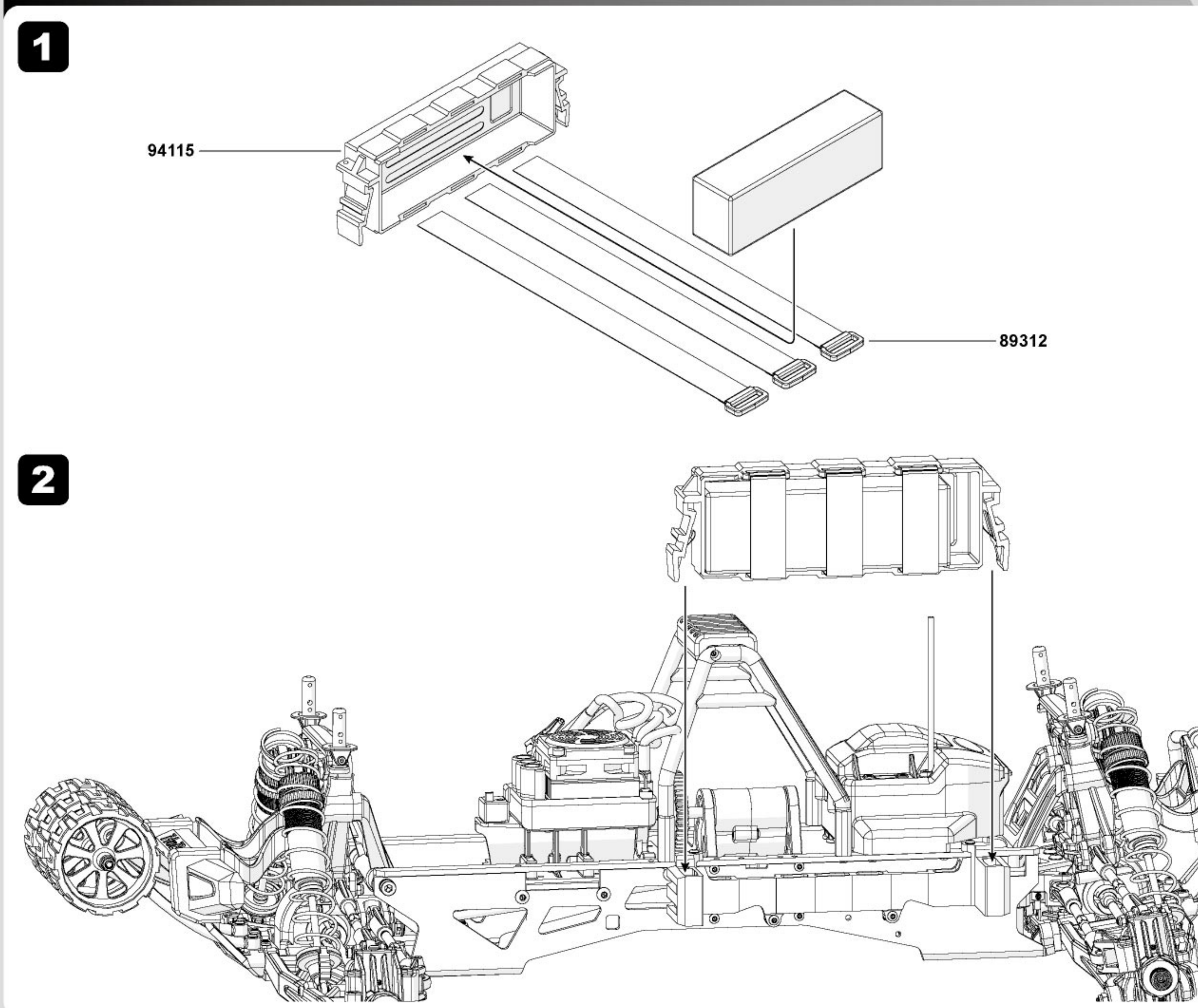
-  33320
3x20mm x4
B/H Screw
-  33312
3x12mm x2
B/H Screw
-  33315
3x15mm x2
B/H Screw

Large Capacity Battery Tray Assembly

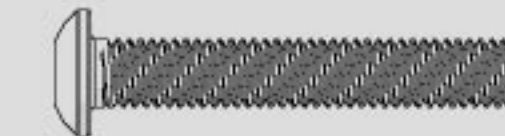
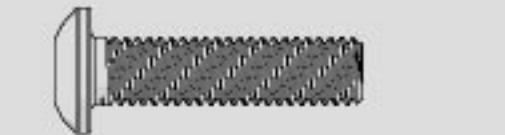


28.

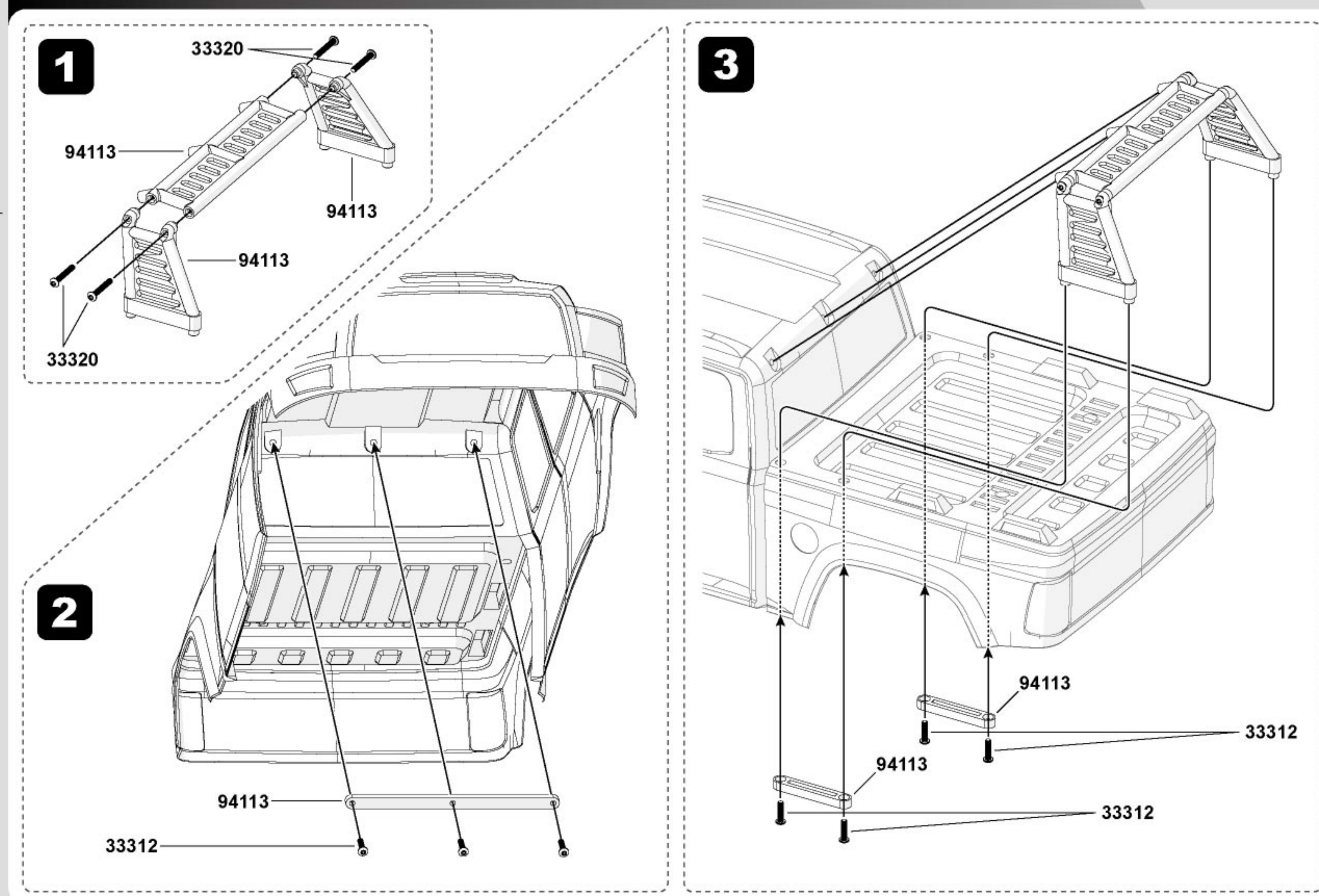
Large Capacity Battery Tray & Magic Strip Assembly



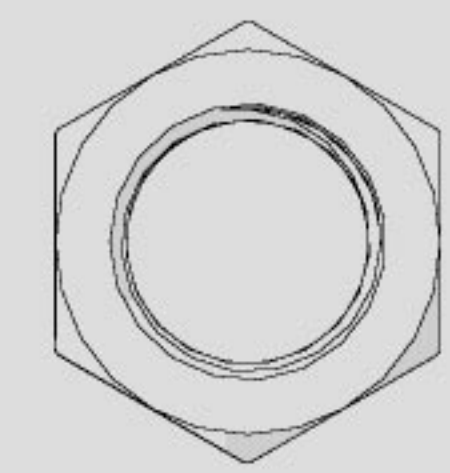
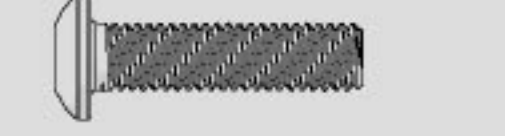
29.

-  33320
3x20mm x4
B/H Screw
-  33312
3x12mm x7
B/H Screw

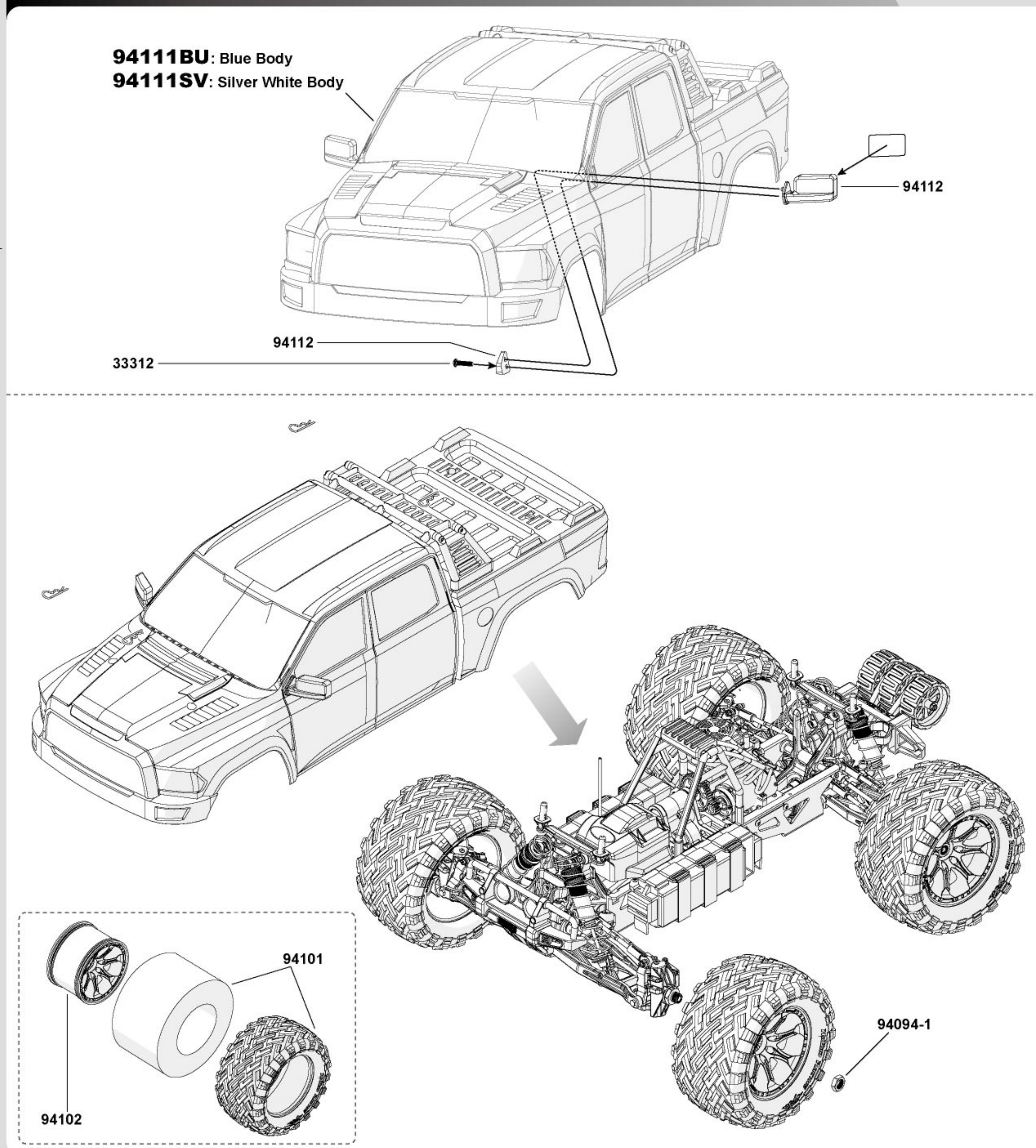
Body Shell Accessories Assembly



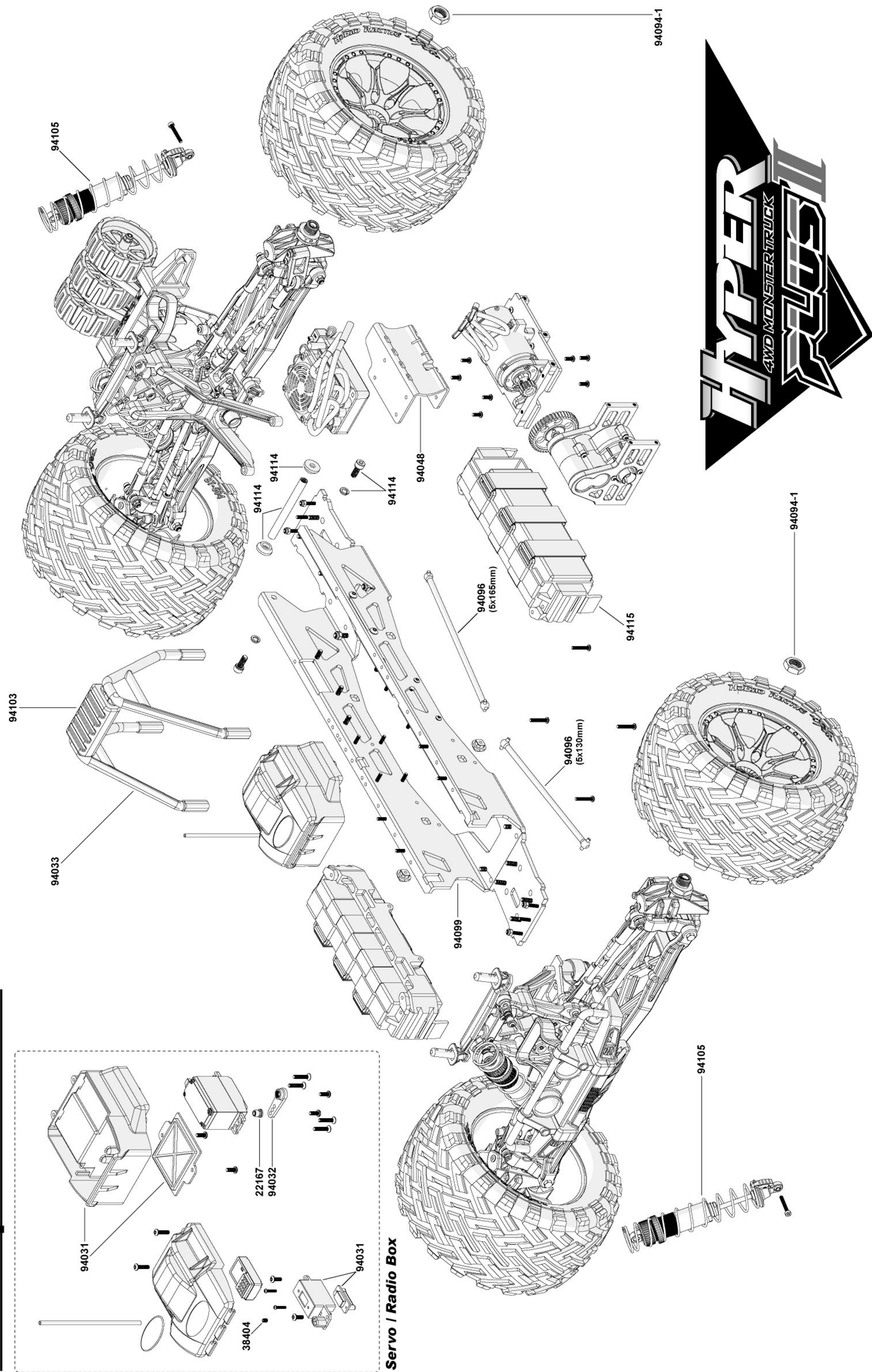
30.

-  94094-1
Wheel Nut x4
-  33312
3x12mm x2
B/H Screw

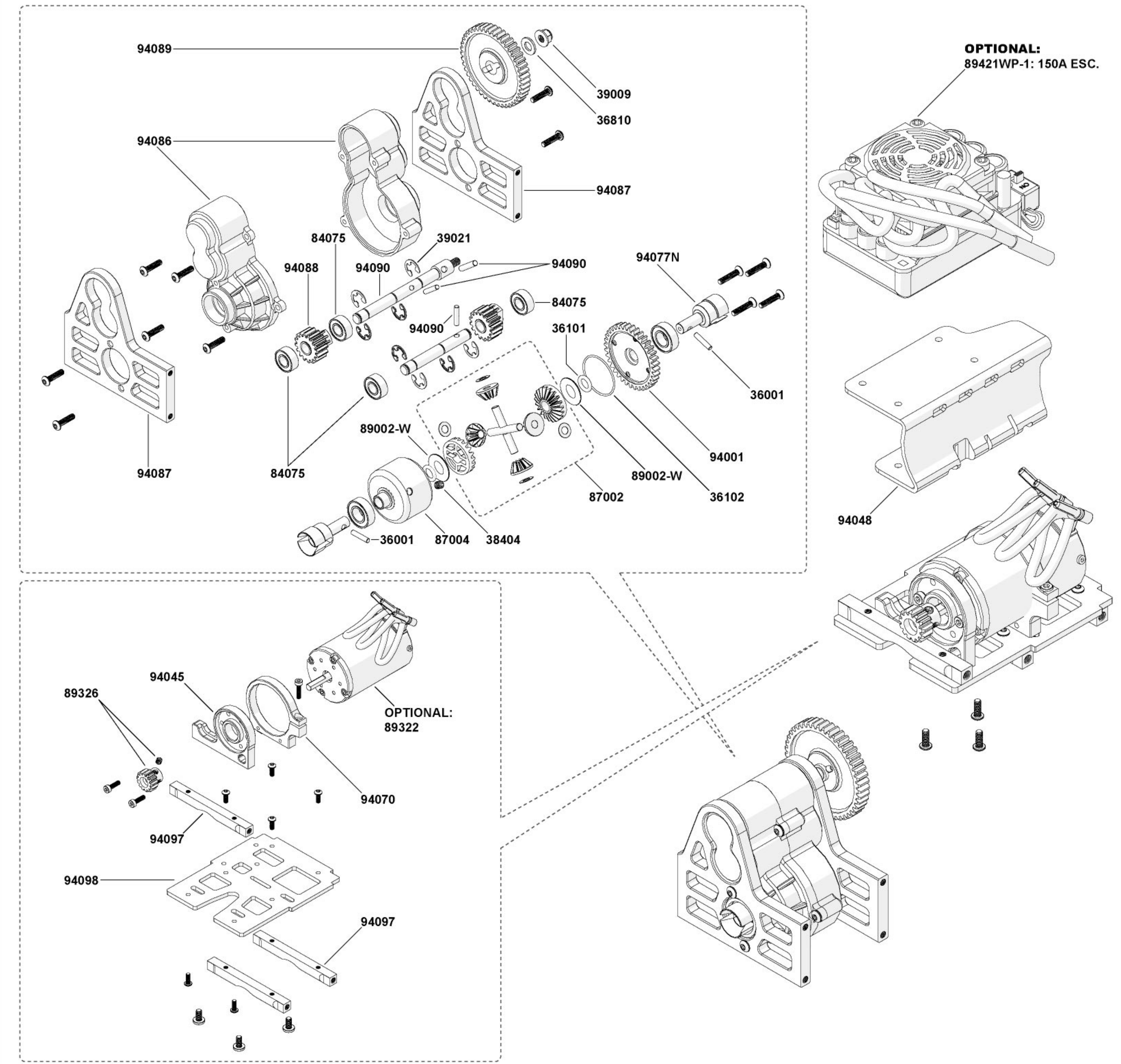
Side Mirror / Body Supporter & Tire Assembly



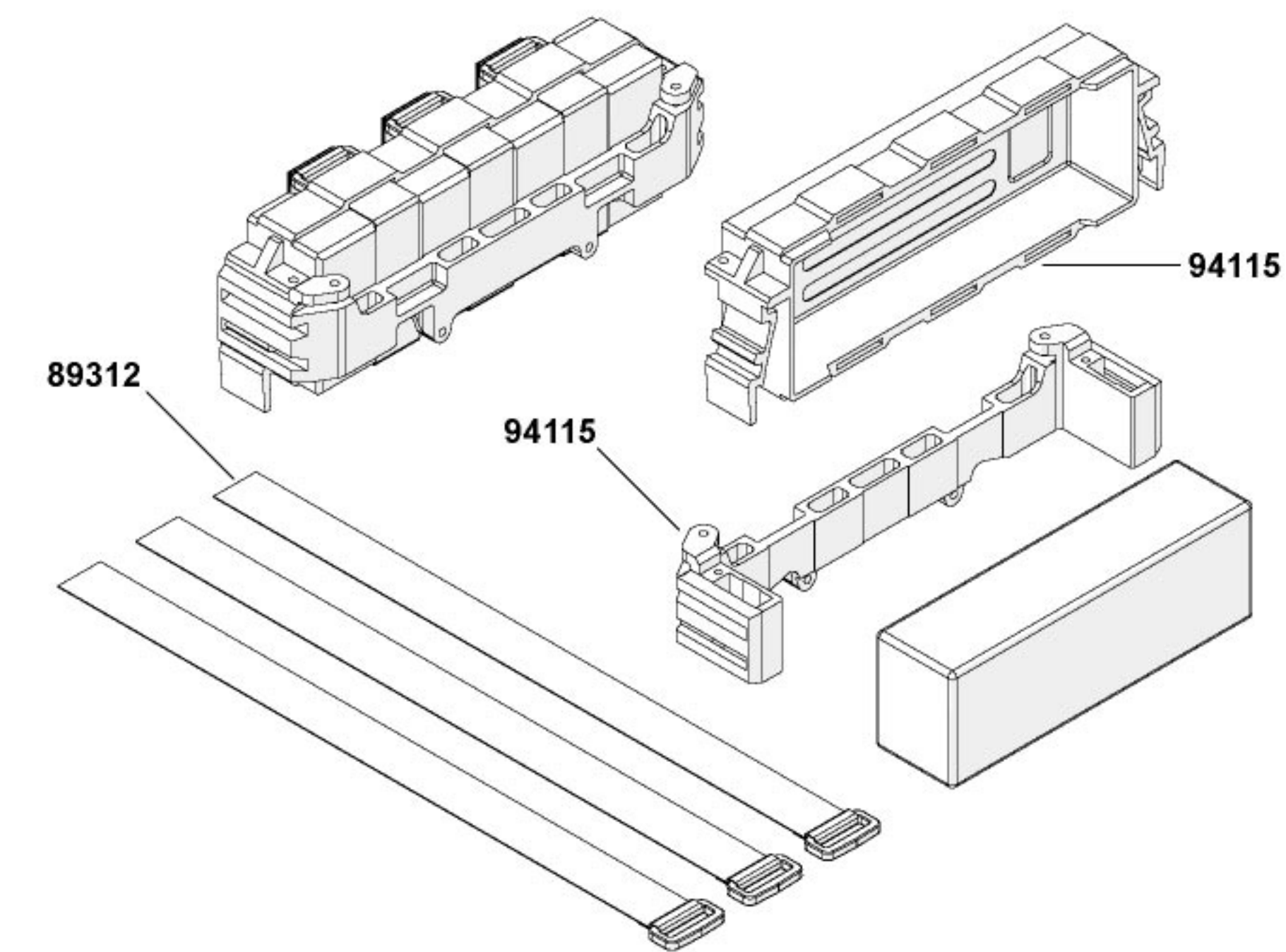
Full Exploded View



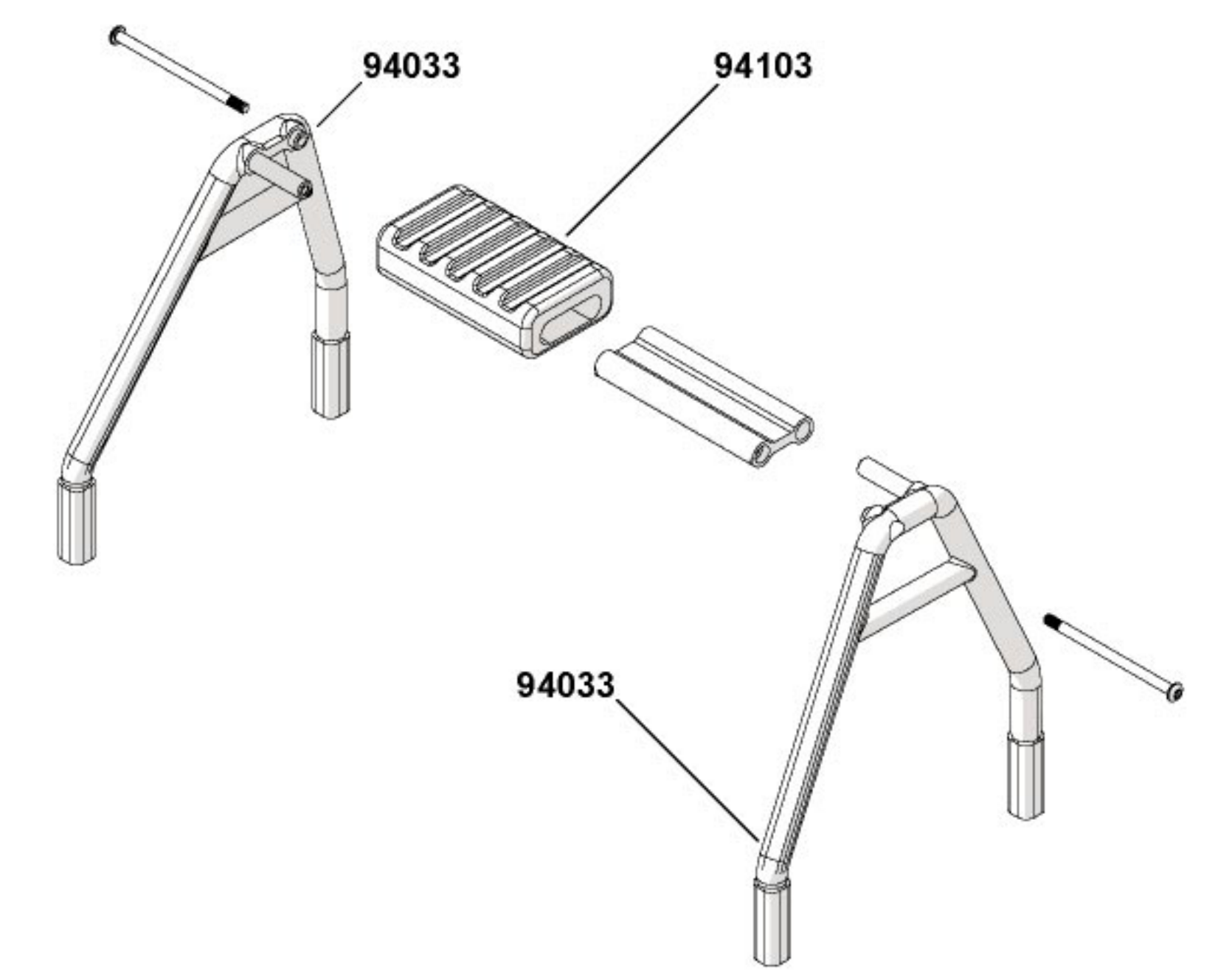
ESC. & Motor Exploded View



Large Capacity Battery Tray Exploded View



Upper Roll Brace Exploded View



Standard Parts

94001 	94019 	94048 	94082 	94093 	94103
94002N 	94023 	94068 	94083 	94094 	94104
94004 	94024 	94070 	94084 	94095 	94105
94005N 	94025 	94072 	94085 	94096 	94106
94008 	94025-1 	94076 	94086 	94097 	94107
94009 	94026 	94077N 	94087 	94098 	94108
94010 	94031 	94078 	94088 	94099 	94109
94013 	94032 	94079 	94090 	94100 	94111BU / SV
94014 	94033 	94080 	94091 	94101 	94112
94016 	94045 	94081 	94092 	94102 	94113

Standard Parts

94114 	36809 	36810 	89322
94115 	37002 	84075 	89326
90036 	84076 	84078 	89420WP-1
90038 	84160 	89421WP-1 	
90047 	90048 	86023 	HB-5932MG
90052BU 	90053BU 	87002 	
22167 	30002 	87004 	
30004 	30005 	88002 	
30006 	36001 	88115 	89002-W
36101 	36102 	89107 	89312

Optional Parts

89311 	OP-0090
89325 	OP-0091
89327 	OP-0092
89328 	OP-0101
89329 	OP-0132
OP-0036 	
OP-0037 	
OP-0038 	
OP-0039 	
OP-0085 	

STANDARD PARTS

94001	MT PLUS Crown Gear - 29T	94088	Steel Gear (16T), 2Pcs	22167	Ball Joint - 5.8mm 7075 CNC
94002N	MT PLUS Pinion Gear - 9T	94089	MT Plus II Spur Gear (45T-1M)	30002	Ball Jong 7.8mm, 4Pcs
94004	Gear Box	94090	MT Plus II Gear Axle	30004	Ball 6.8mm, 6Pcs
94005N	Outdrive Cup, W/ Retainer & Pin	94091	Steel Gear (36T) For Differential With O-Rings	30005	Ball Flanged 7.8mm, 4Pcs
94008	Plastic Hinge Pin Retainer	94092	MT Plus II Wheelie Bar Mount	30006	Ball Flanged 7.8mm, 4Pcs
94009	Aluminum Hinge Pin Holder, 2Pcs	94093	MT Plus II Wheelie Bar Wheels, 3Pcs	36001	Pin 2.5x13.8mm, 4Pcs
94010	Camber Link Rod Ends, 4Pcs	94094	Wheel Hub Set W/ Nut, 2 Sets	36101	O-Ring 5.8x1.9mm, 10Pcs
94013	Steering Knuckle & Hinge Pin Upright	94094-1	Wheel Nut, 4Pcs	36102	O-Ring 22x0.9mm, 5Pcs
94014	Steering Knuckle Arm Link, 2Pcs	94095	Universal Joint For MT Plus II, 2 Sets	36809	Spacer 3x8x1mm, 10Pcs
94016	Inner Arm Hinge Pin, 2Pcs	94096	MT Plus II Center Drive Shaft	36810	Steel Spacer 5x10x1mm, 10Pcs
94019	Body Post	94097	MT Plus II CNC Alum. Supporting Bar	37002	Ball Bearing 8x19x6mm, 2Pcs
94023	Upper Front Plate	94098	MT Plus II CNC Alum. Motor Mounting Plate	84075	Ball Bearing 6x13mm, 4Pcs
94024	Servo Saver Arm	94099	MT Plus II Alum. Chassis Frame	86023	Turnbuckle M5x80mm
94025	Servo Saver Spring Set, W/ Posts	94100	MT Plus II Orange Headlight, 2pcs	84076	Ball Bearing 8x16x5mm, 4Pcs
94025-1	Servo Saver Rod	94101	MT Plus II Tire W/ Foam Inner, 2Pcs	84078	Ball Bearing 6x10x3mm, 4Pcs
94026	Servo Steering Rod End, 2Pcs	94102	MT Plus II Wheel, 2Pcs	84160	Hex Wrench
94031	Radio Box	94103	MT Plus II Rubber Handle For Roll Bar	87002	Bevel Gear Set
94032	CNC Aluminum Servo Arm	94104	Turnbuckle M3 x 62mm	87004	Differential Case
94033	Upper Roll Brace	94105	Shock Absorber Set (ID 17mm), 2 Sets	88002	M4x47 Hex Screw
94045	CNC Aluminum Motor Mount	94106	Shock Nylon Parts Set	88115	Alum. Collar For Shock Tower
94048	ESC. Mounting Plate	94107	MT Plus II Shock Spring, 4Pcs	89002-W	Washer 6x12x0.15mm, 2Pcs
94068	HOBABO Nameplate	94108	Shock Body, 2Pcs	89107	Shock Steel Ball End 6.8mm, 4Pcs
94070	CNC Aluminum Motor "C" Holder - Φ40	94109	Shock Spring Adjustable Ring, 4Pcs	89312	Magic Strip, 2Pcs
94072	MT Plus Rear Angle Limit Block	94110	Shock Shaft Set	89322	1/8 Brushless Motor 2000KV
94076	MT Plus New Retainer, 2Pcs	94111BU	MT Plus II Printed Body Shell- Blue	89326	1/8 Motor Gear 16T
94077N	Differential Outdrive Cups, 2Pcs	94111SV	MT Plus II Printed Body Shell- Silver White	89420WP-1	Waterproof ESC 150A (XT90 Plug) & 2000KV Motor Set
94078	MT Plus New Hub Hinge Pin (M4x62mm), 2Pcs	94112	Side Mirror For MT Plus II	89421WP-1	Waterproof ESC 150A (XT90 Plug)
94079	MT Plus II Front/ Rear Lower Arm, 2Pcs	94113	Back Rack Set For Body Shell	HB-5932MG	32kg-cm 7.4V Coreless Servo/ Digital/ Metal Gear
94080	MT Plus II Shock Tower	94114	Chassis Support		
94081	MT Plus II Shock Front/ Rear Bumper Set	94115	Large Capacity Battery Tray		
94082	MT Plus II Shock Front/ Rear Chassis Brace Set	90036	Shock Absorber Repair Set		
94083	Skid Plate	90038	King Pin, 4Pcs		
94084	MT Plus II Alum. Shock Stiffener	90047	Shock Piston, 4Pcs		
94085	Rear Chassis Brace Mount	90048	Shock Bladder, 4Pcs		
94086	MT Plus II Center Differential Case	90052	CNC Alum. Shock Cap Top-Blue, 2Pcs		
94087	CNC Alum. Center Differential Mount	90053	CNC Alum. Shock Cap Bottom-Blue, 2Pcs		

SCREWS

OPTIONAL PARTS

31315	M3x15 Flat Head Screw, 10Pcs	89311	1/8 Motor Gear 14T
31320	M3x20 Flat Head Screw, 10Pcs	89325	1/8 Motor Gear 15T
31410	M4x10 Flat Head Screw, 10Pcs	89327	1/8 Motor Gear 13T
31414	M4x14 Flat Head Screw, 10Pcs	89328	1/8 Motor Gear 17T
31418	M4x18 Flat Head Screw, 10Pcs	89329	1/8 Motor Gear-18T-5mm
32310	M3x10 Cap Head Screw, 10Pcs	OP-0036	1/8 Motor Gear 19T
32312	M3x12 Cap Head Screw, 10Pcs	OP-0037	1/8 Motor Gear 20T
32320	M3x20 Cap Head Screw, 10Pcs	OP-0038	1/8 Motor Gear 21T
32325	M3x25 Cap Head Screw, 10Pcs	OP-0039	1/8 Motor Gear 22T
32512	M5x12mm Head Cap Screw, 5Pcs	OP-0085	CNC Motor "C" Holder - Φ42
33210	M2x10mm Button Head Screw, 10Pcs	OP-0090	Dobule Lock Dust Proof Wheel Flange Hub (Hard Coating), 2Pcs
33308	M3x8mm Button Head Screws, 10Pcs	OP-0091	Dobule Lock Dust Proof Wheel Flange Hub (Gold), 2Pcs
33310	M3x10mm Button Head Screw, 10Pcs	OP-0092	Dobule Lock Dust Proof Wheel Flange Hub (Bronze), 2Pcs
33312	M3x12mm Button Head Screw, 10Pcs	OP-0101	Chassis Supporter Plate
33318	M3x18mm Button Head Screw	OP-0132	Hyper MT Plus II Clear Body
33320	M3x20mm Button Head Screw		
33350	M3x50mm Button Head Screw, 4Pcs		
33412	M4x12mm Button Head Screw, 10Pcs		
33418	M4x18mm Button Head Screw, 10Pcs		
36001	PIN 2.5x13.8mm, 4Pcs		
36212	M2.6x12mm Cap Head Screw, 10Pcs		
38304	Set Screw M3x4mm, 10Pcs		
38308	Set Screw M3x8mm, 10Pcs		
38404	Set Screw M4x4mm, 10Pcs		
38504	Set Screw M5x4mm, 10Pcs		
39008	Nylon Nut M3, 10Pcs		
39009	Nylon Nut M4, 10Pcs		
39408	M4x8mm Engine Mount Screw, "I" Head, 10Pcs		



HoBao Racing Inc.

**No. 34, Lane 112, Szu Yuan Road,
Hsin Chuang District,
New Taipei City, Taiwan 24250**

Phone: +886-2-2996-2229

Email: hobao@hobao.com.tw

HoBao Racing USA

**1765 Greensboro Station Place,
Tower 1, Suite 900,
McLean, VA 22192**

Tel: +1-888-687-6780

Email: info@hobao-usa.com

**Website: www.hobao-racing.com
eShop: <http://eshop.hobao-racing.com>**